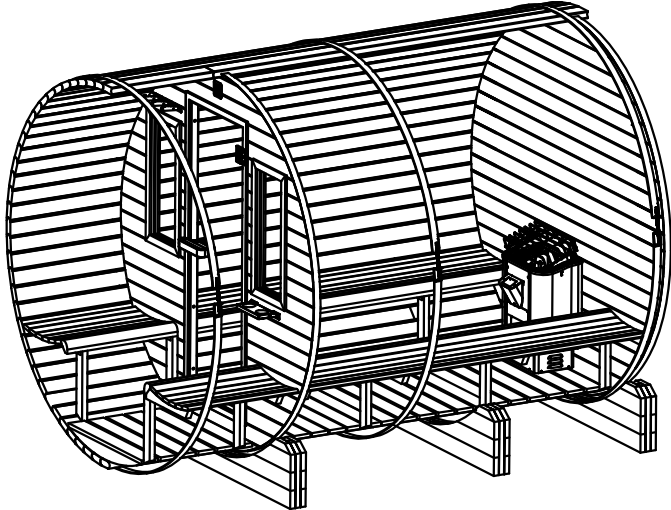
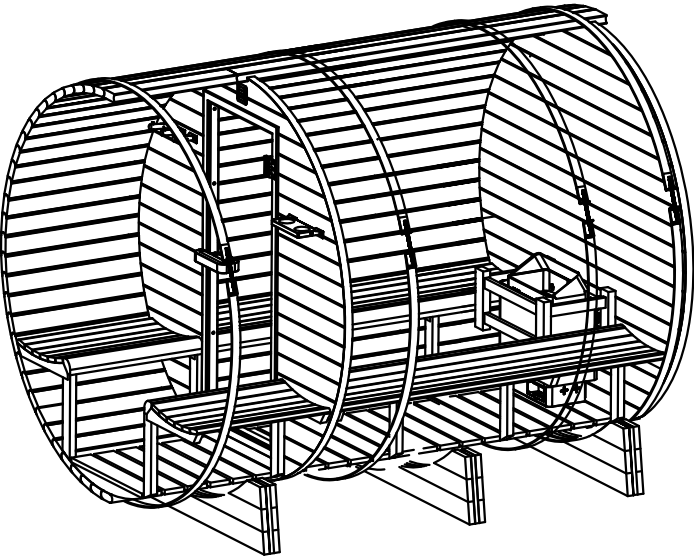
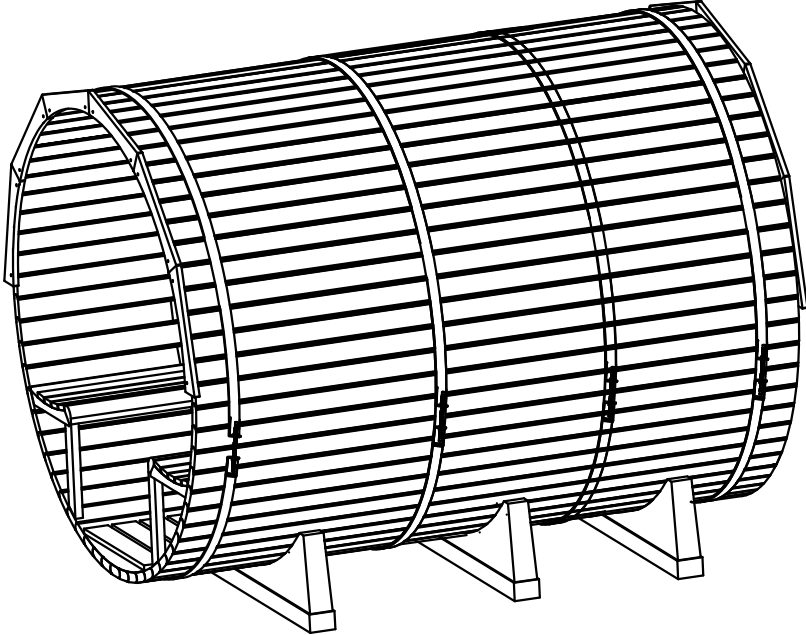
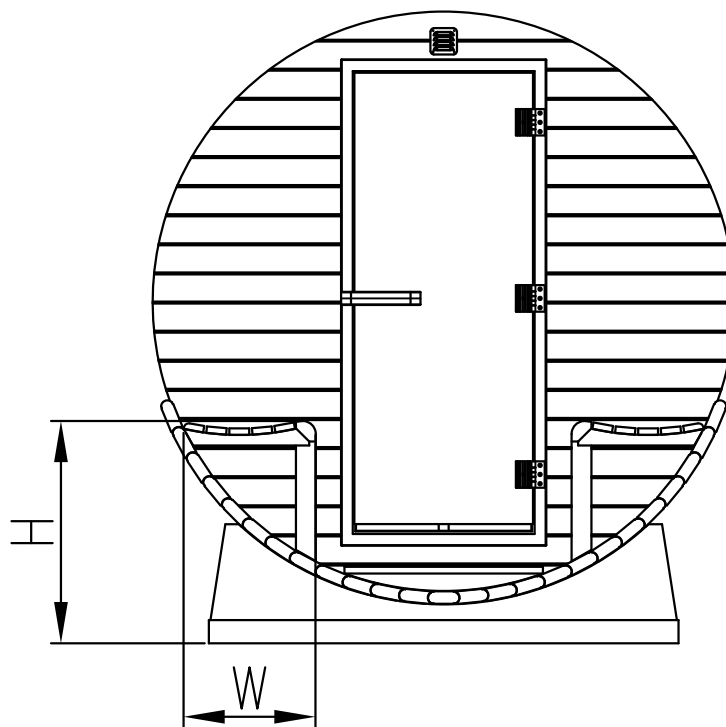
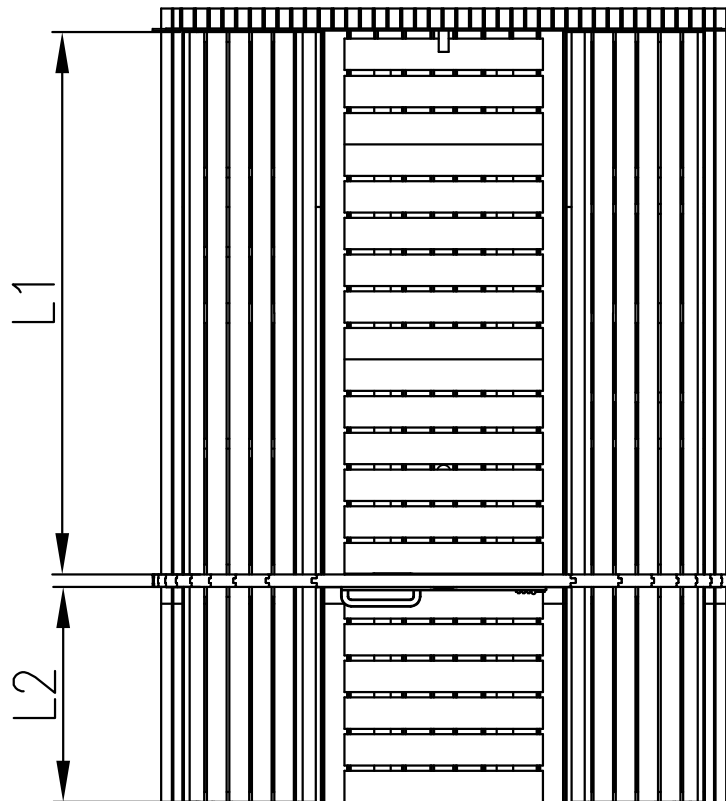
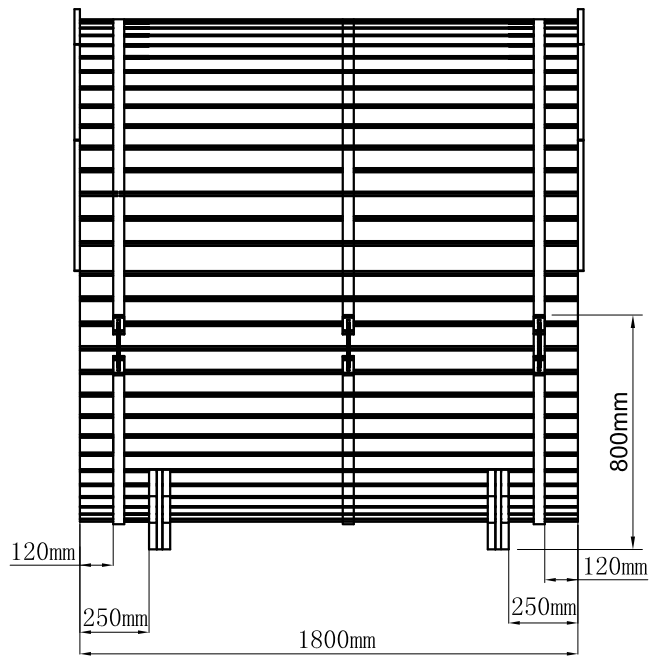
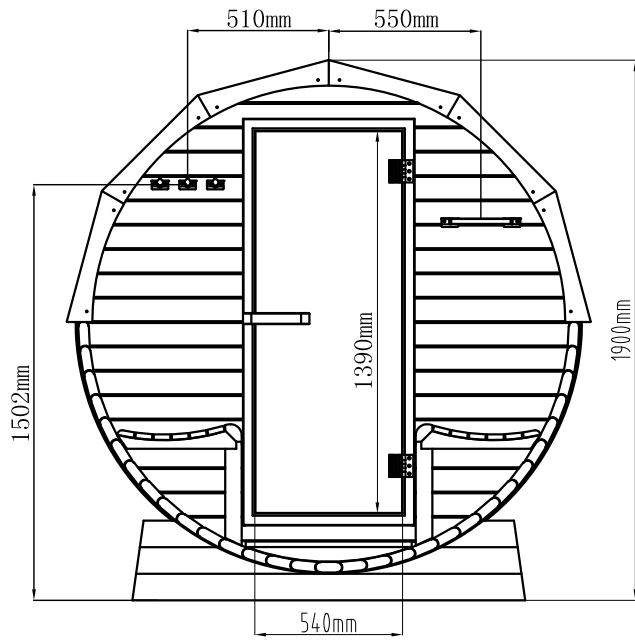
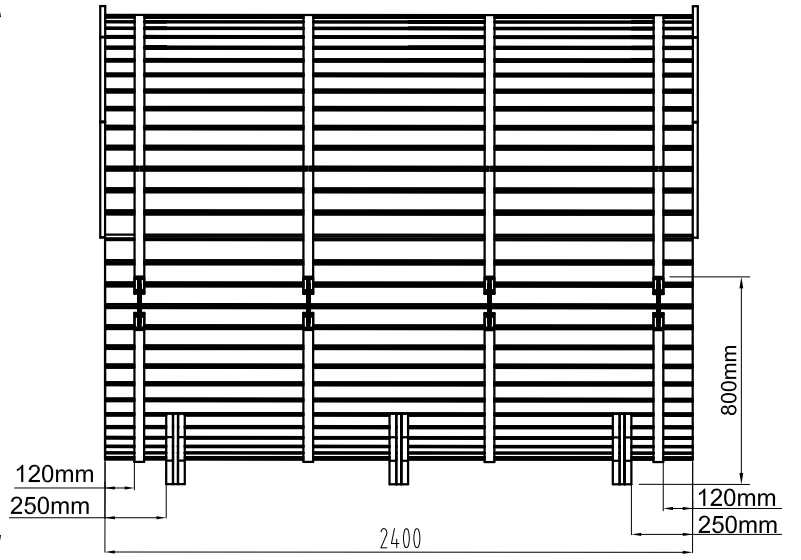
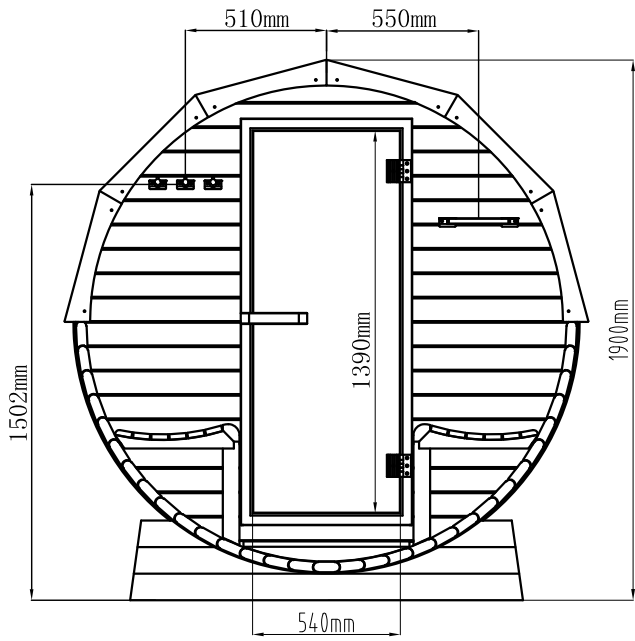


# BARREL SAUNA WITH PORCH



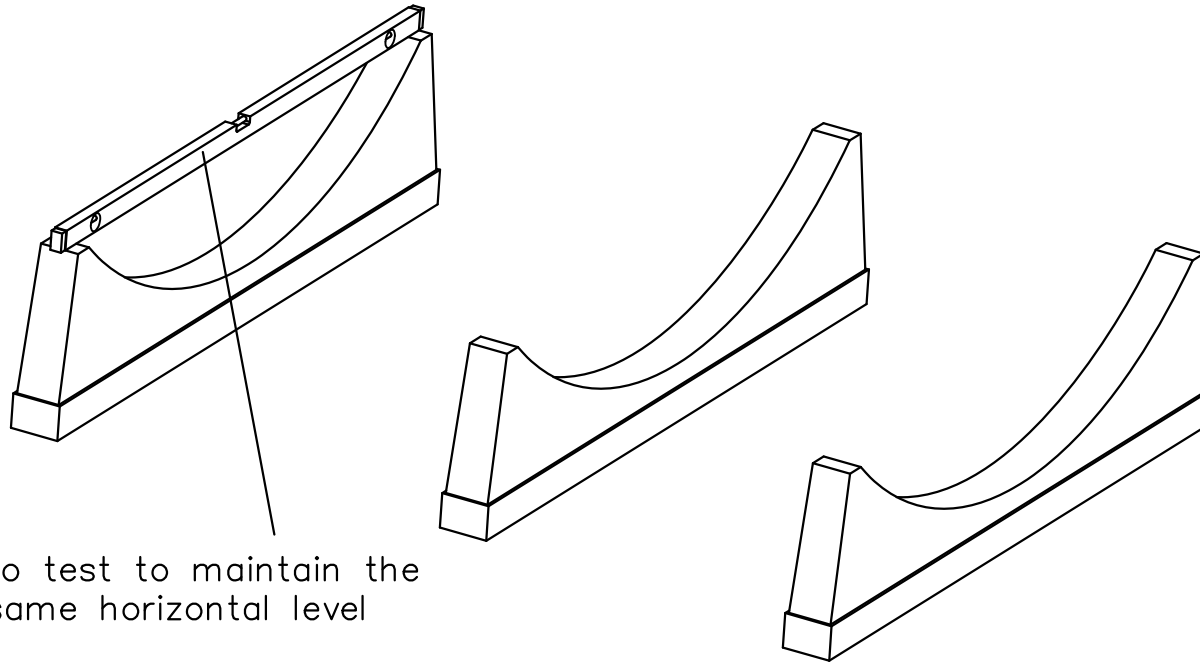


Name \ Number	L1(mm)	L2(mm)	W(mm)	H(mm)
1818	1070	600	400	640
1824	1670	600	400	640

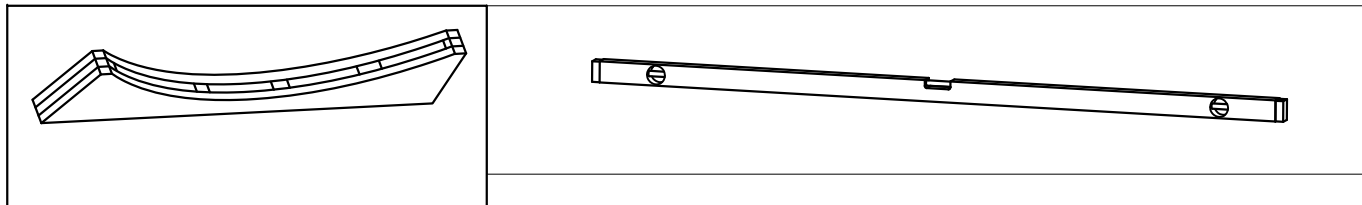


1.

## Installation example for 1824

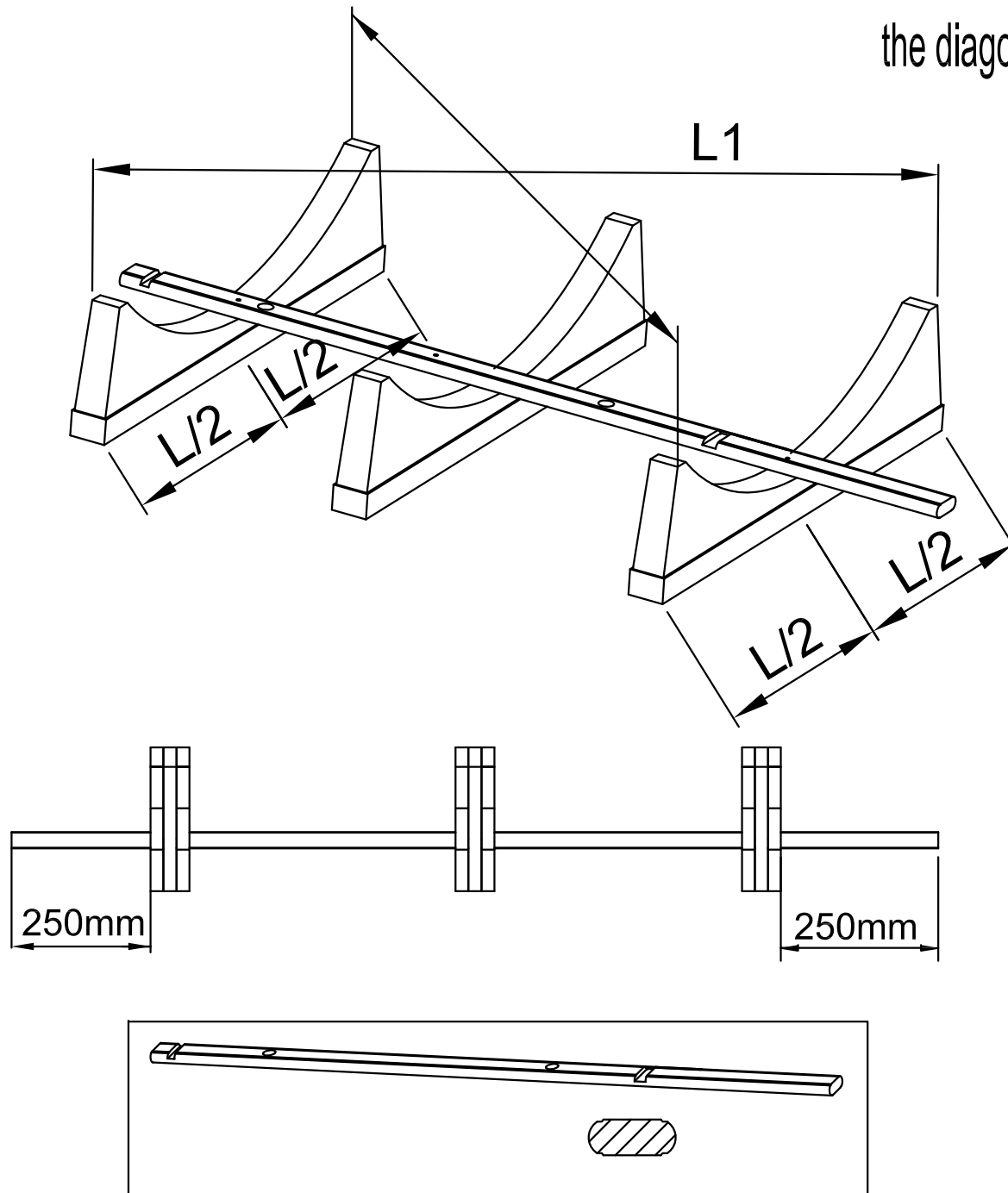


to test to maintain the same horizontal level

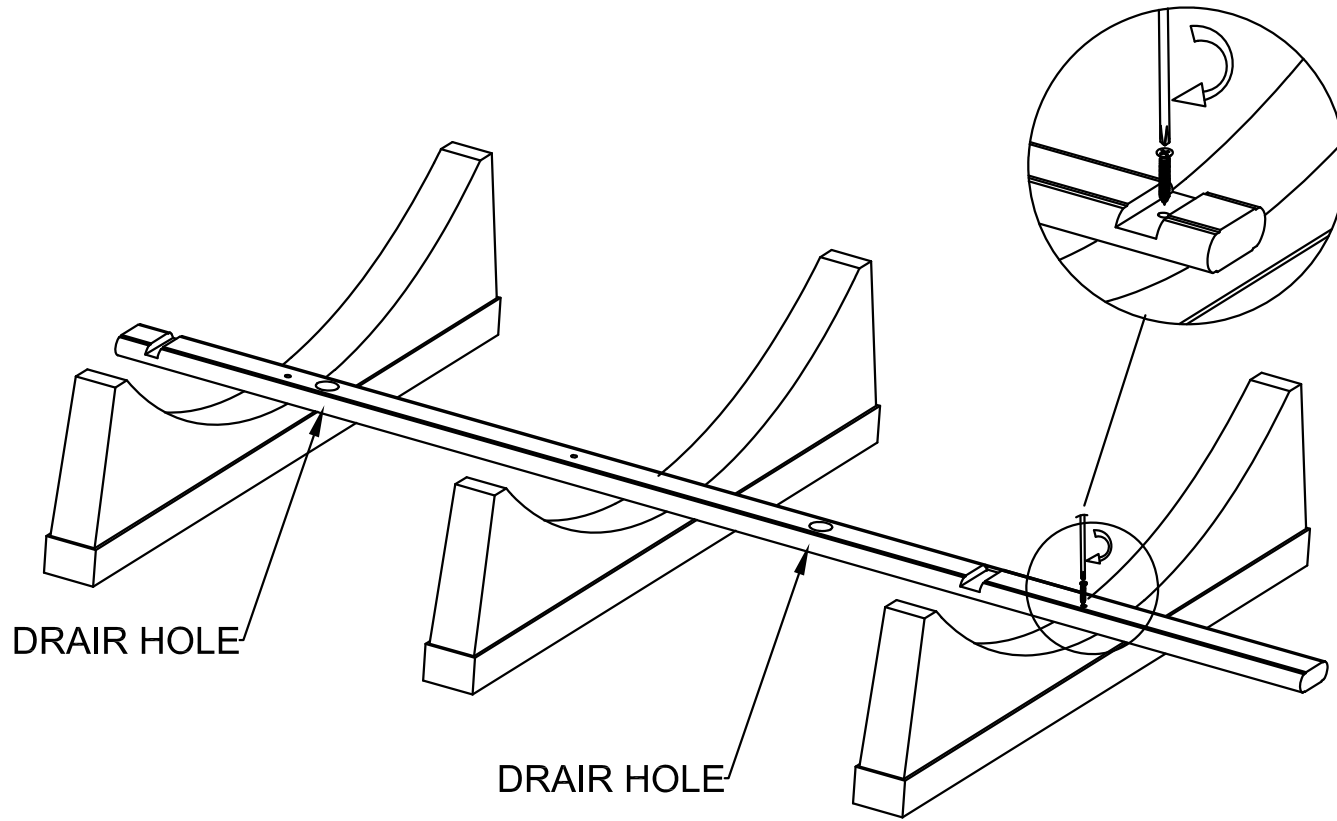


2.

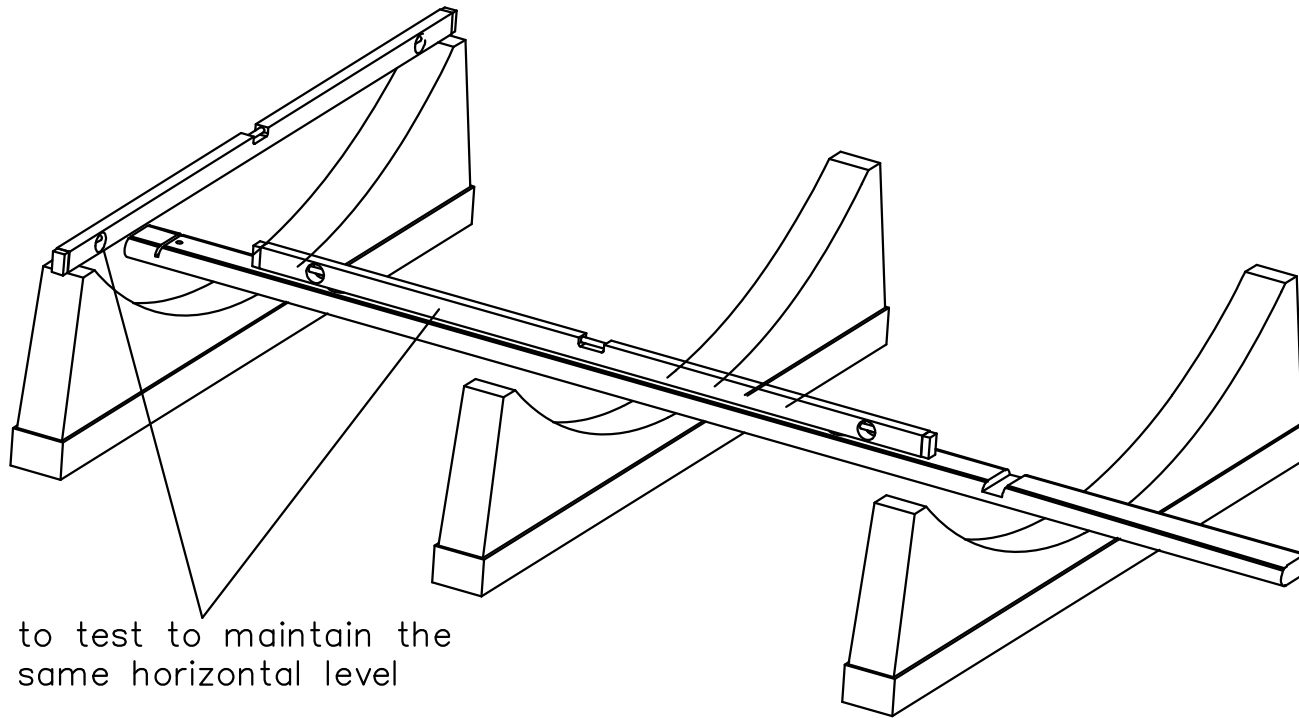
the diagonal lines are equal



3.

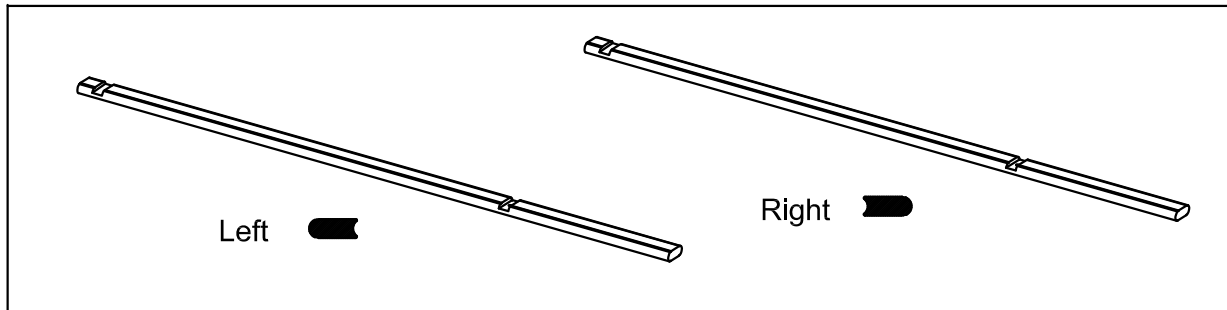
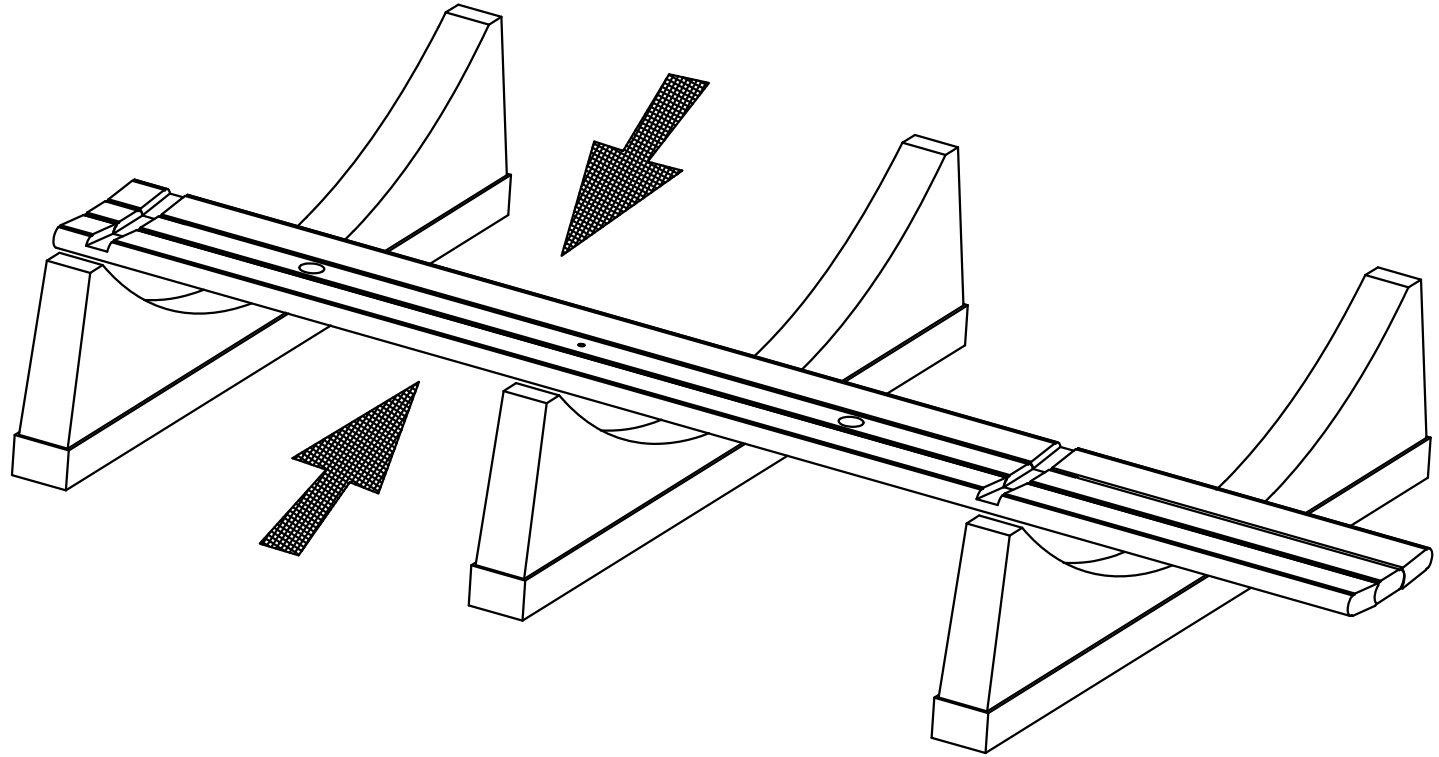


4.



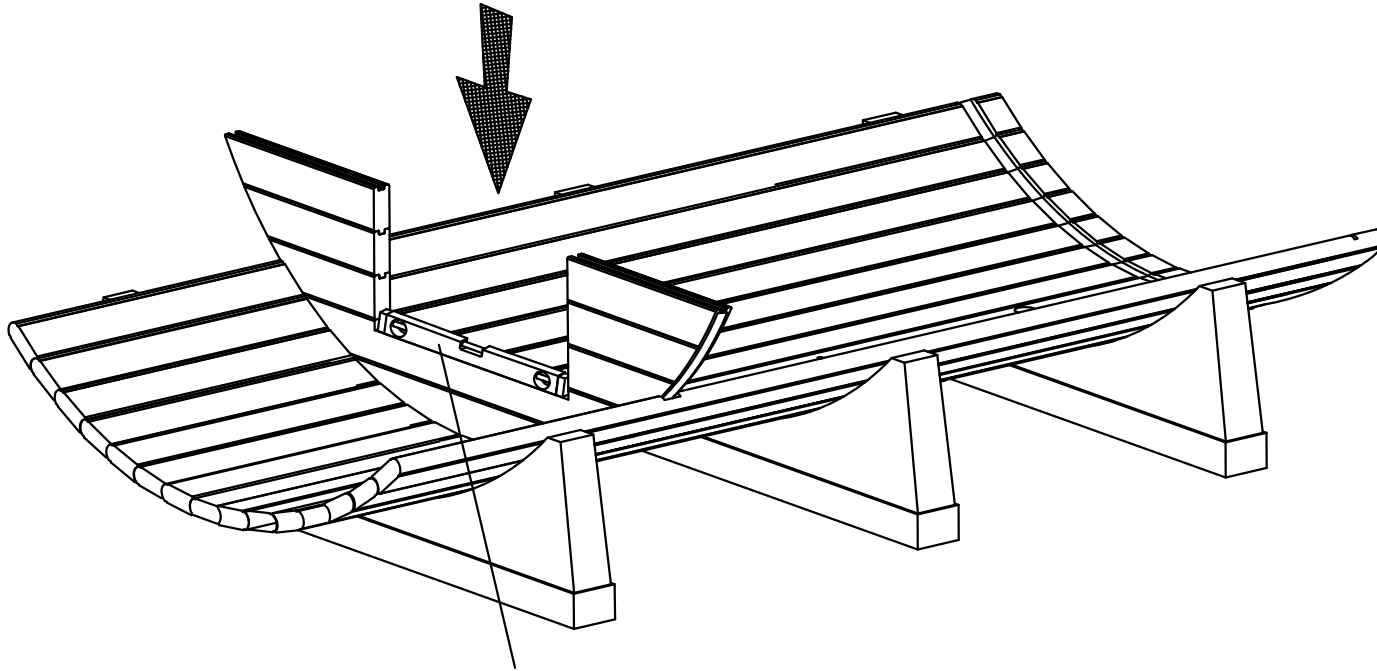
to test to maintain the  
same horizontal level

5.

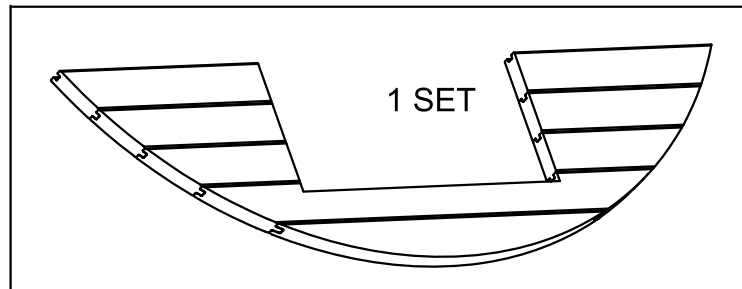




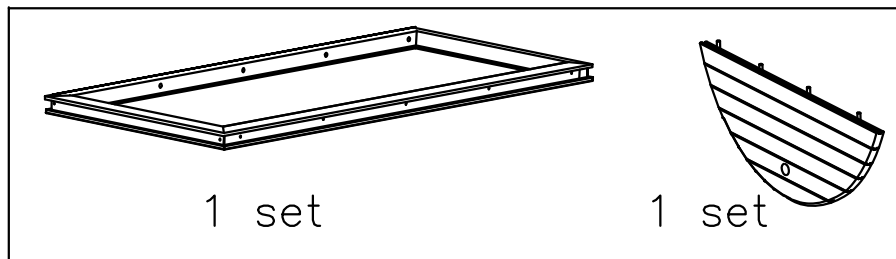
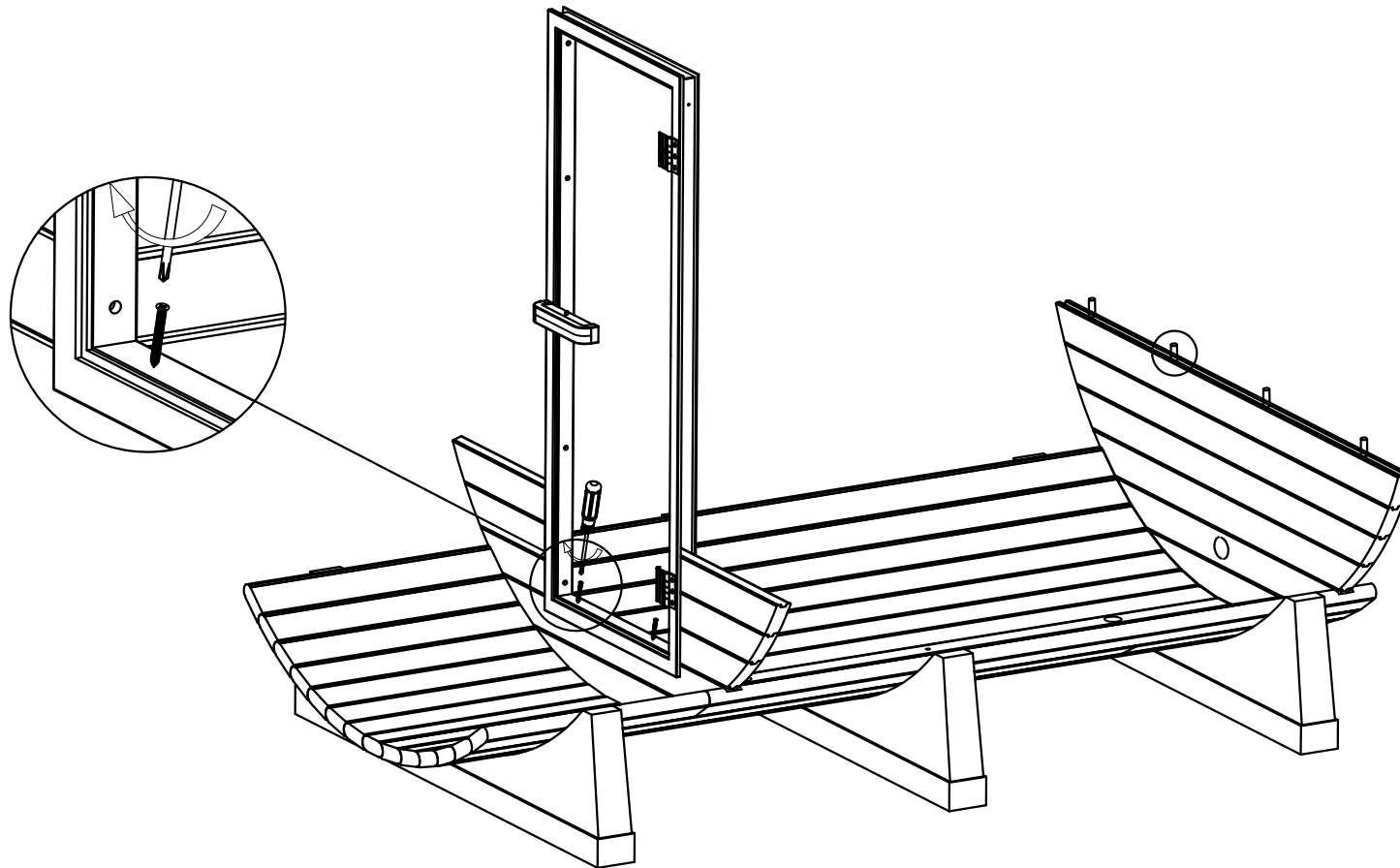
6.



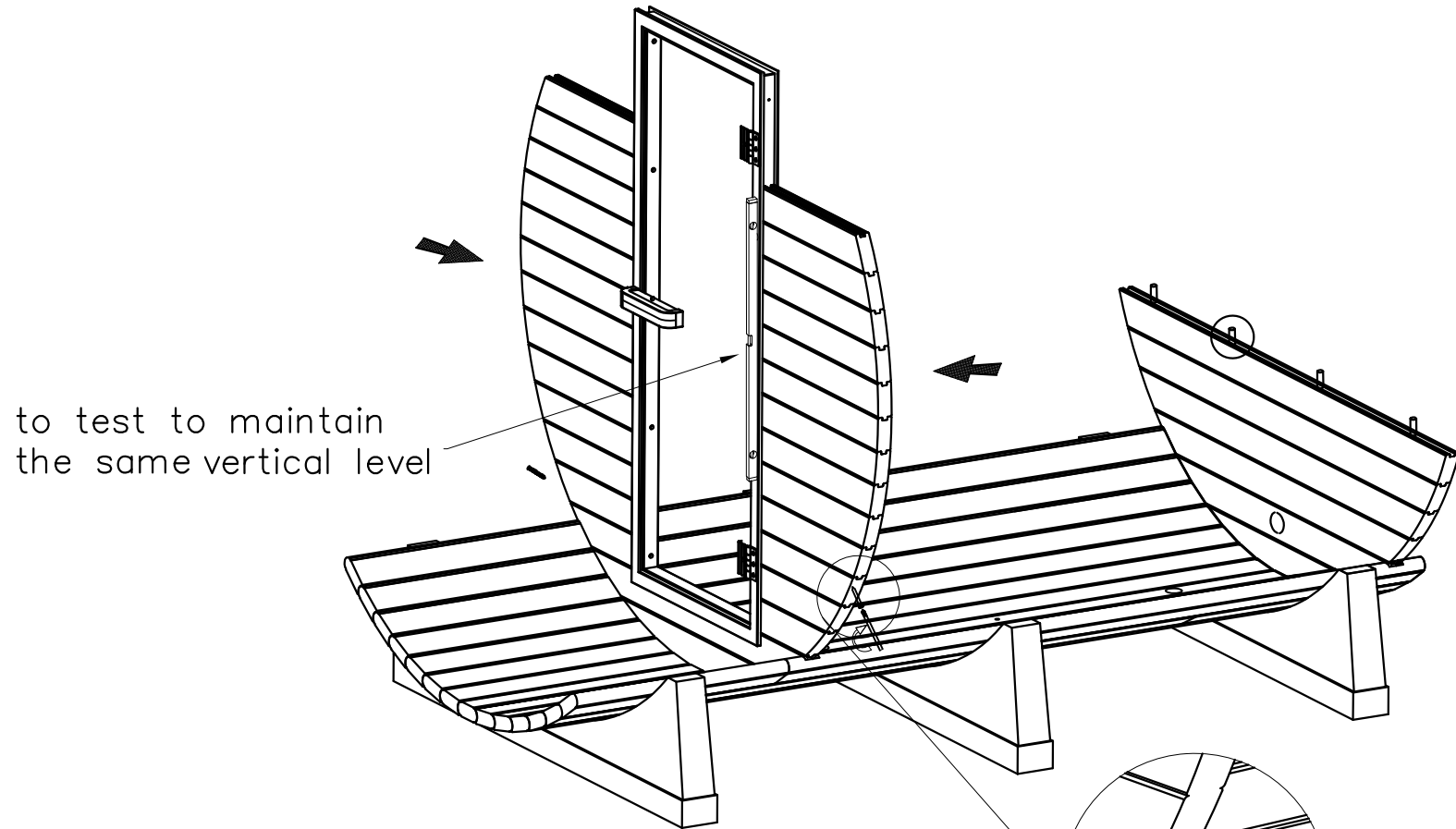
to test to maintain the same horizontal level



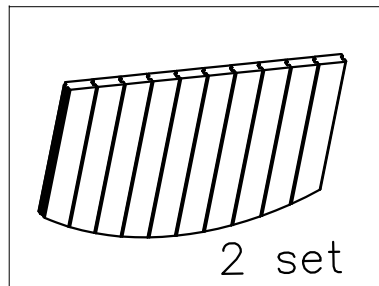
7.



8.



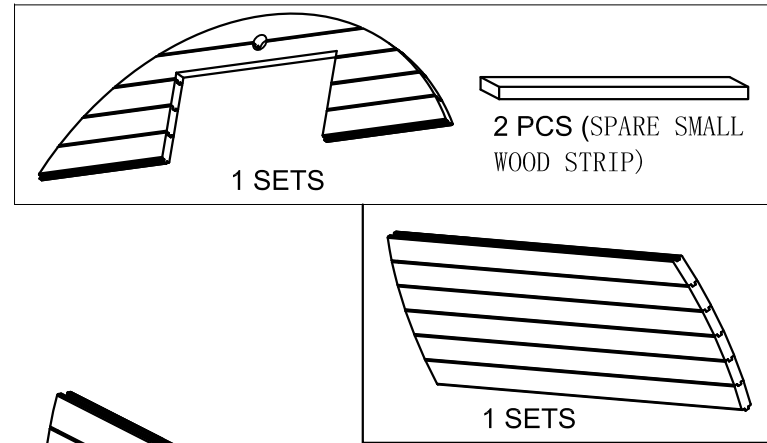
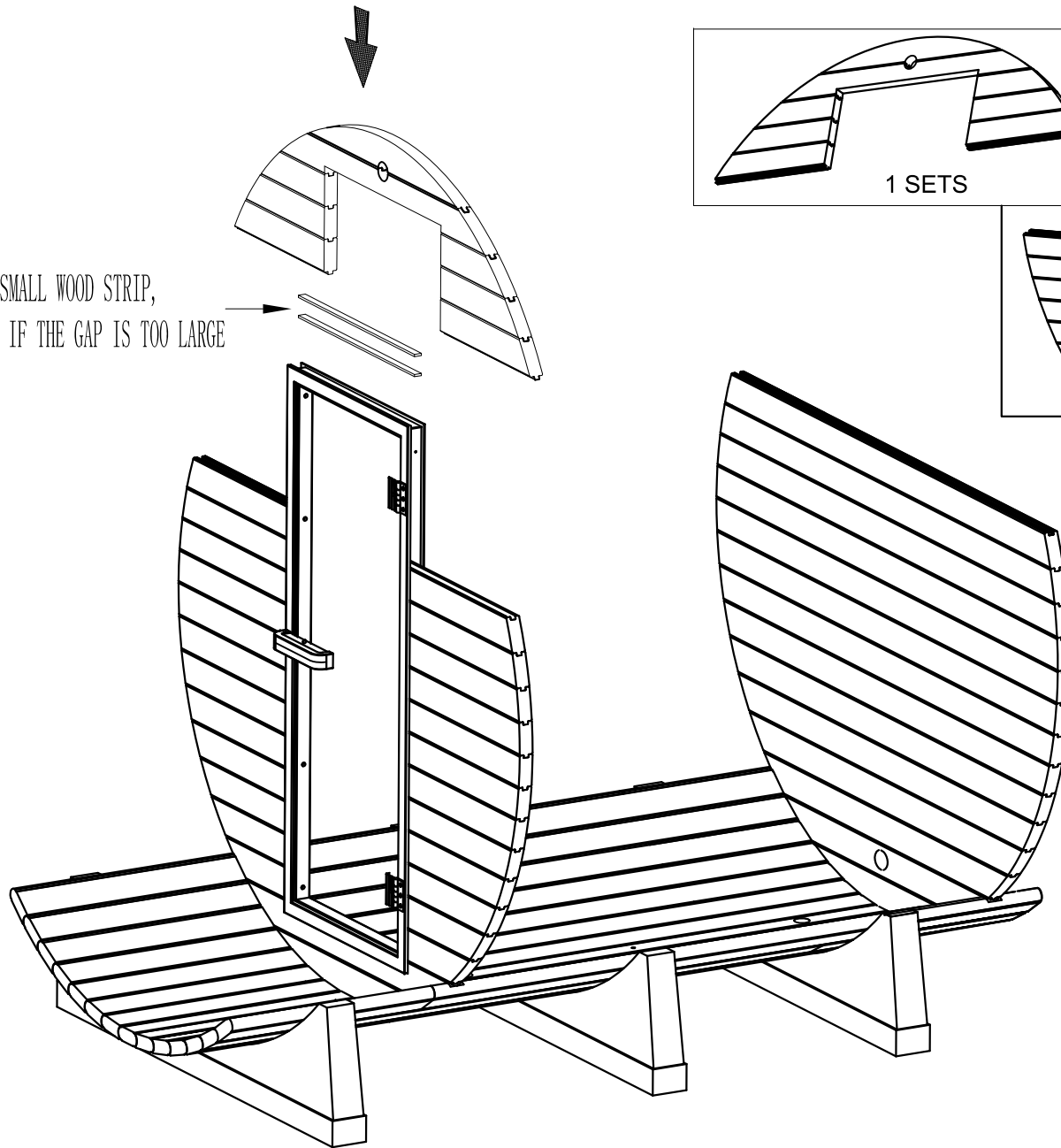
to test to maintain  
the same vertical level



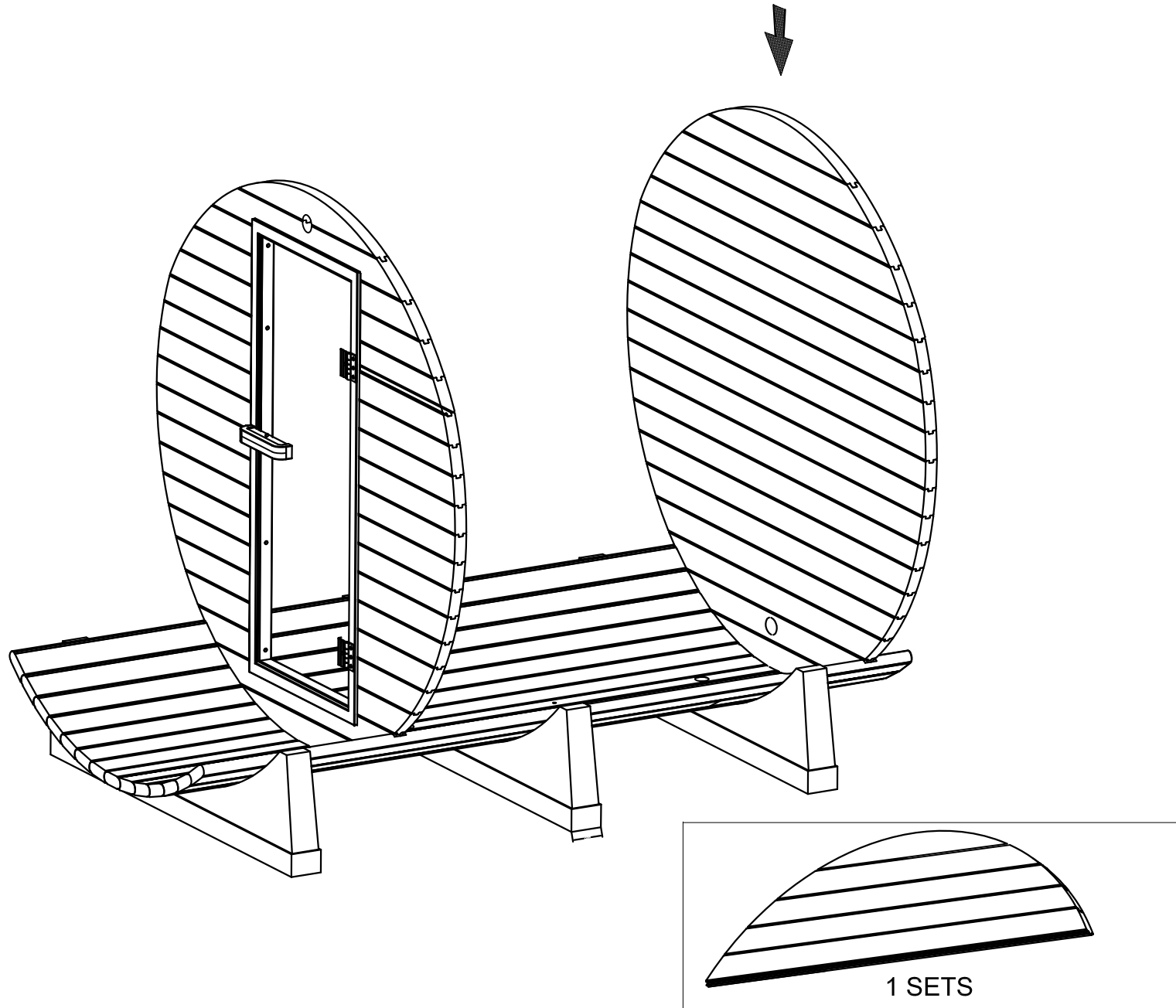
Ø5x60 (2 sets)

9.

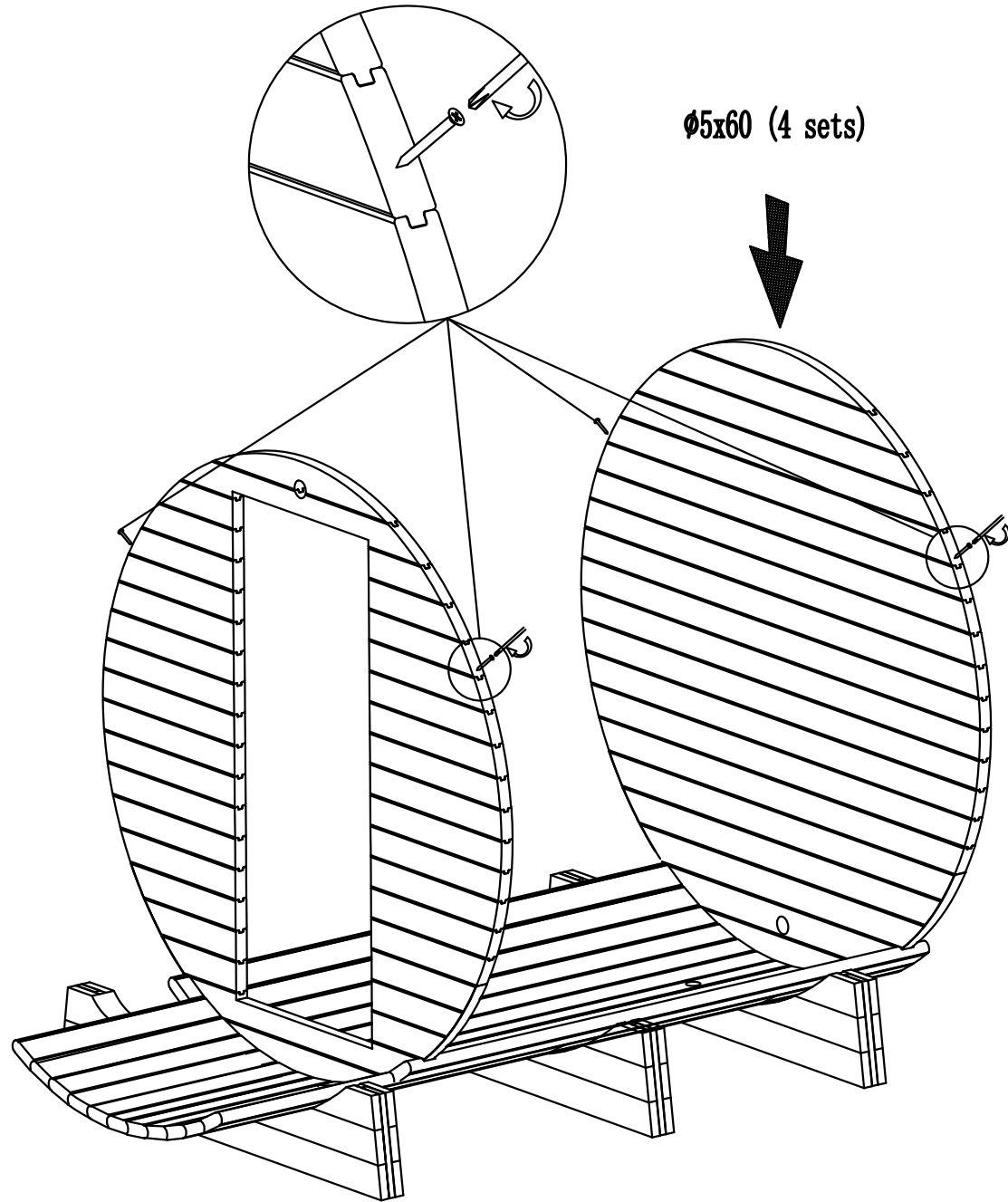
SPARE SMALL WOOD STRIP,  
INSERT IF THE GAP IS TOO LARGE



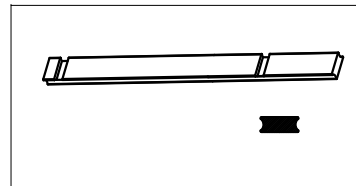
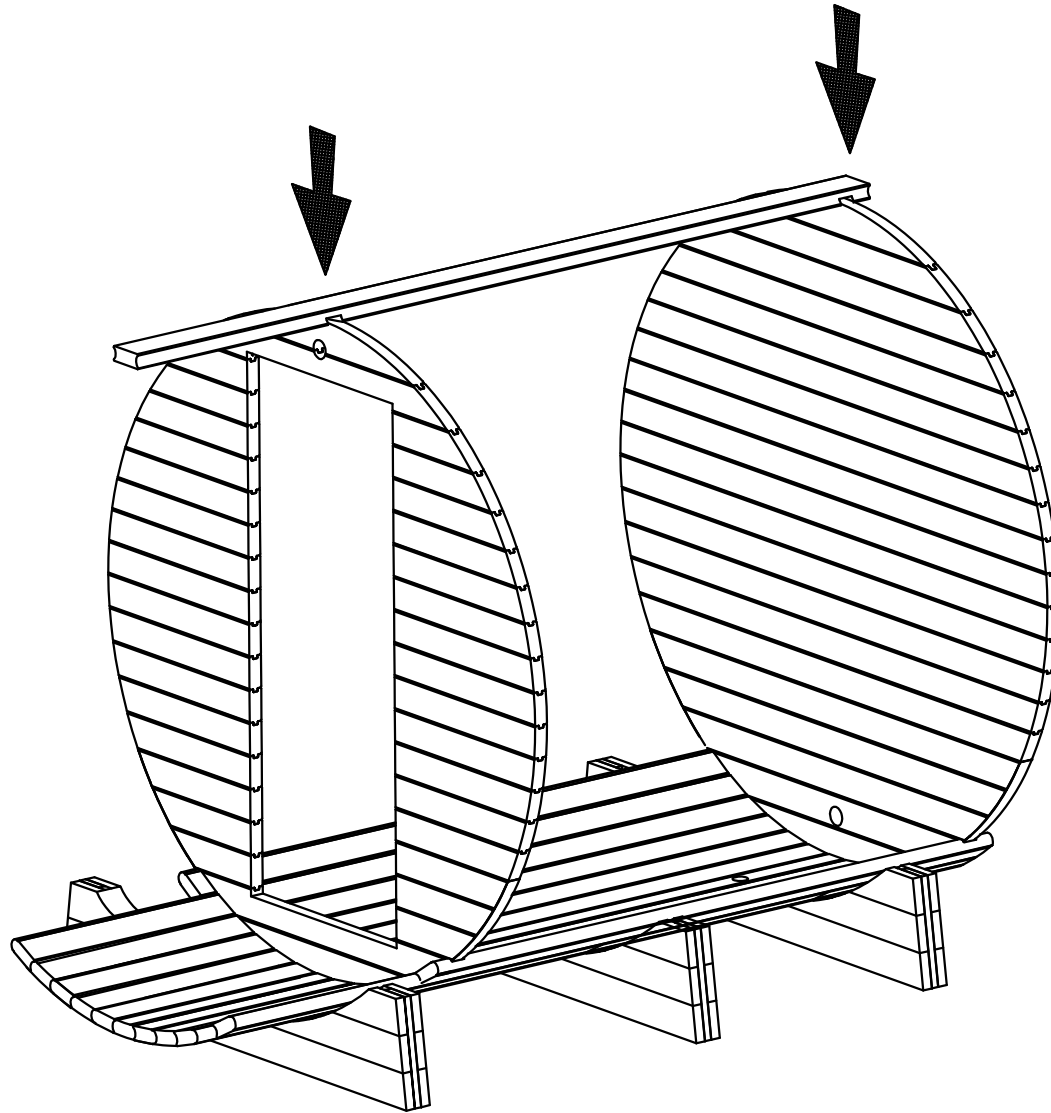
10.



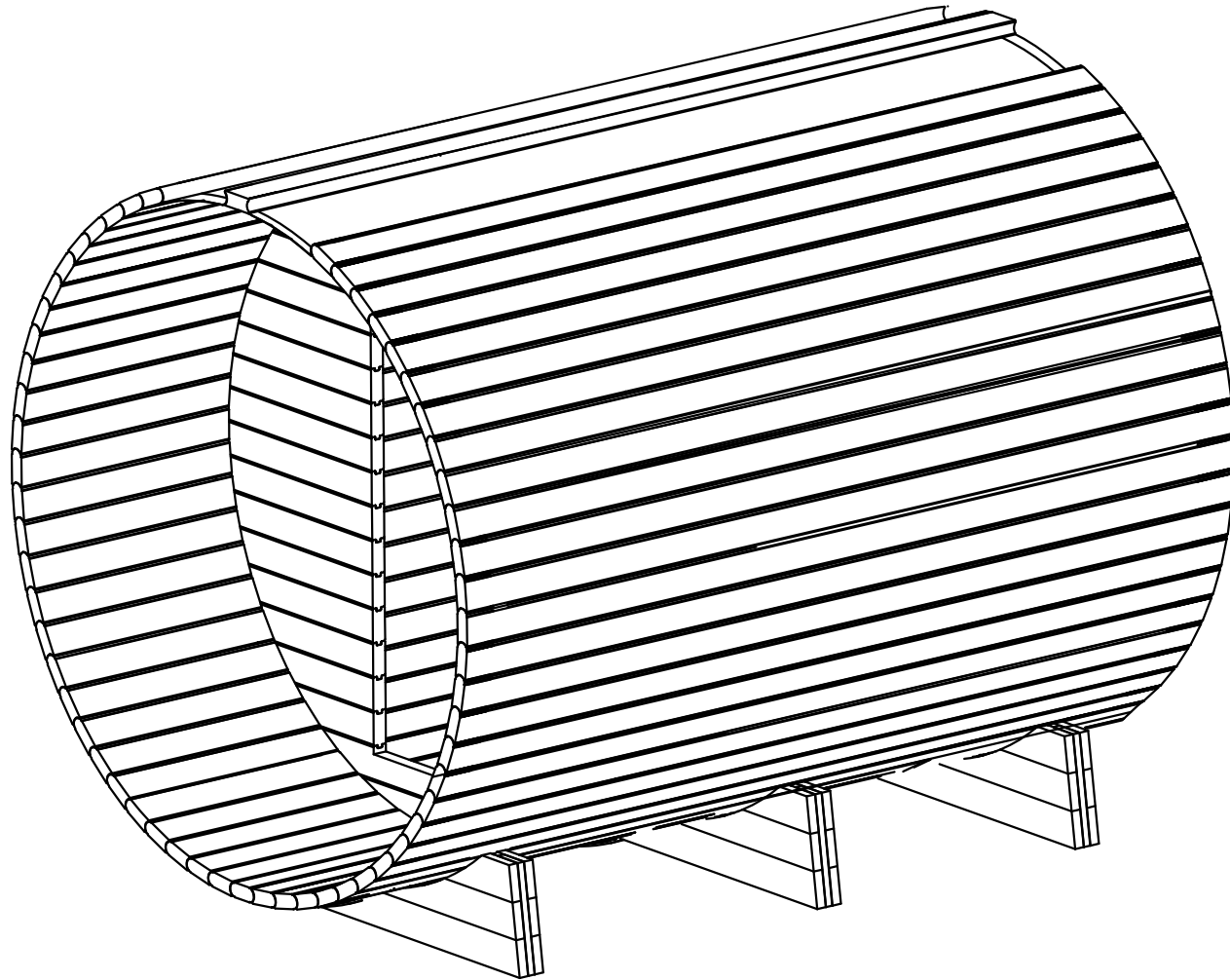
11.



12.

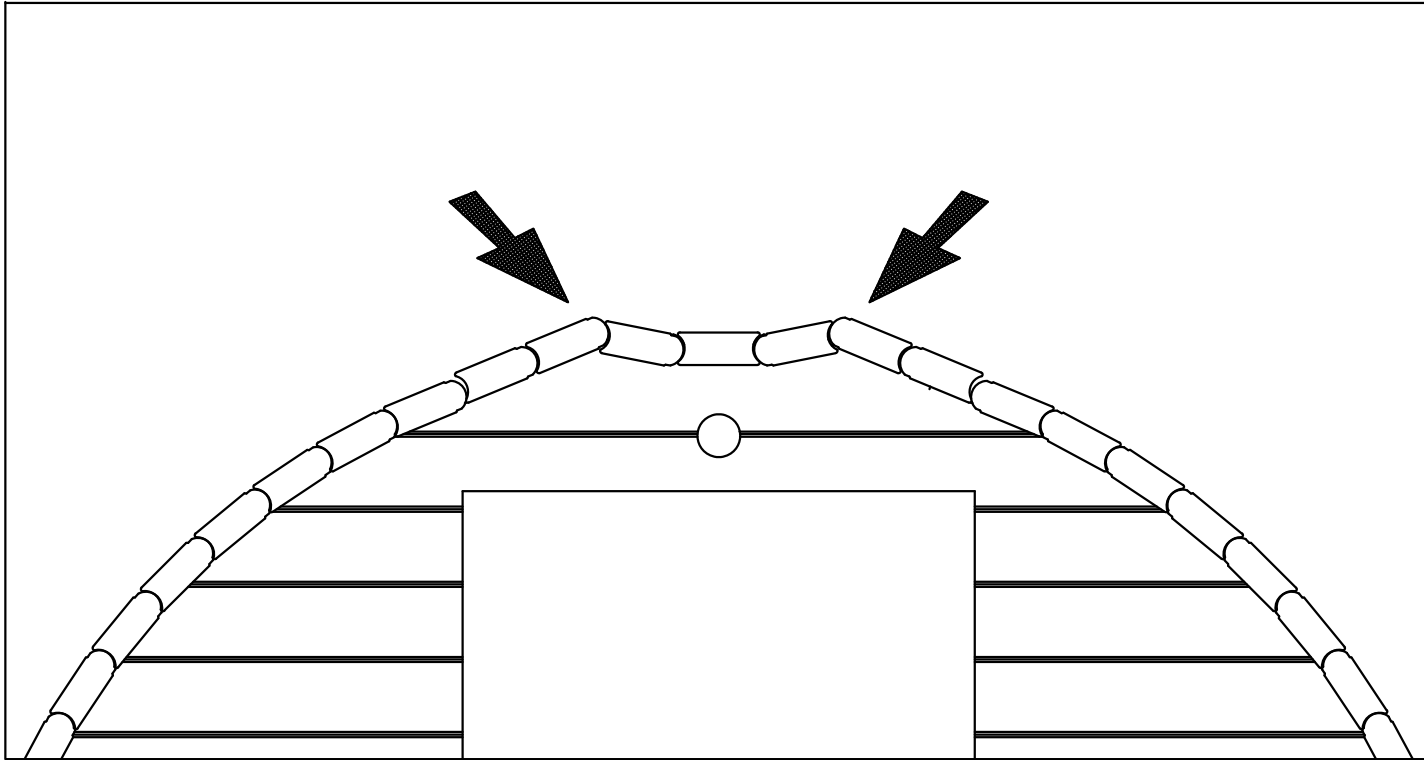


13.

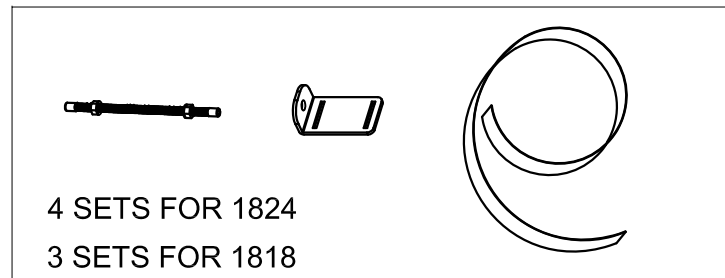
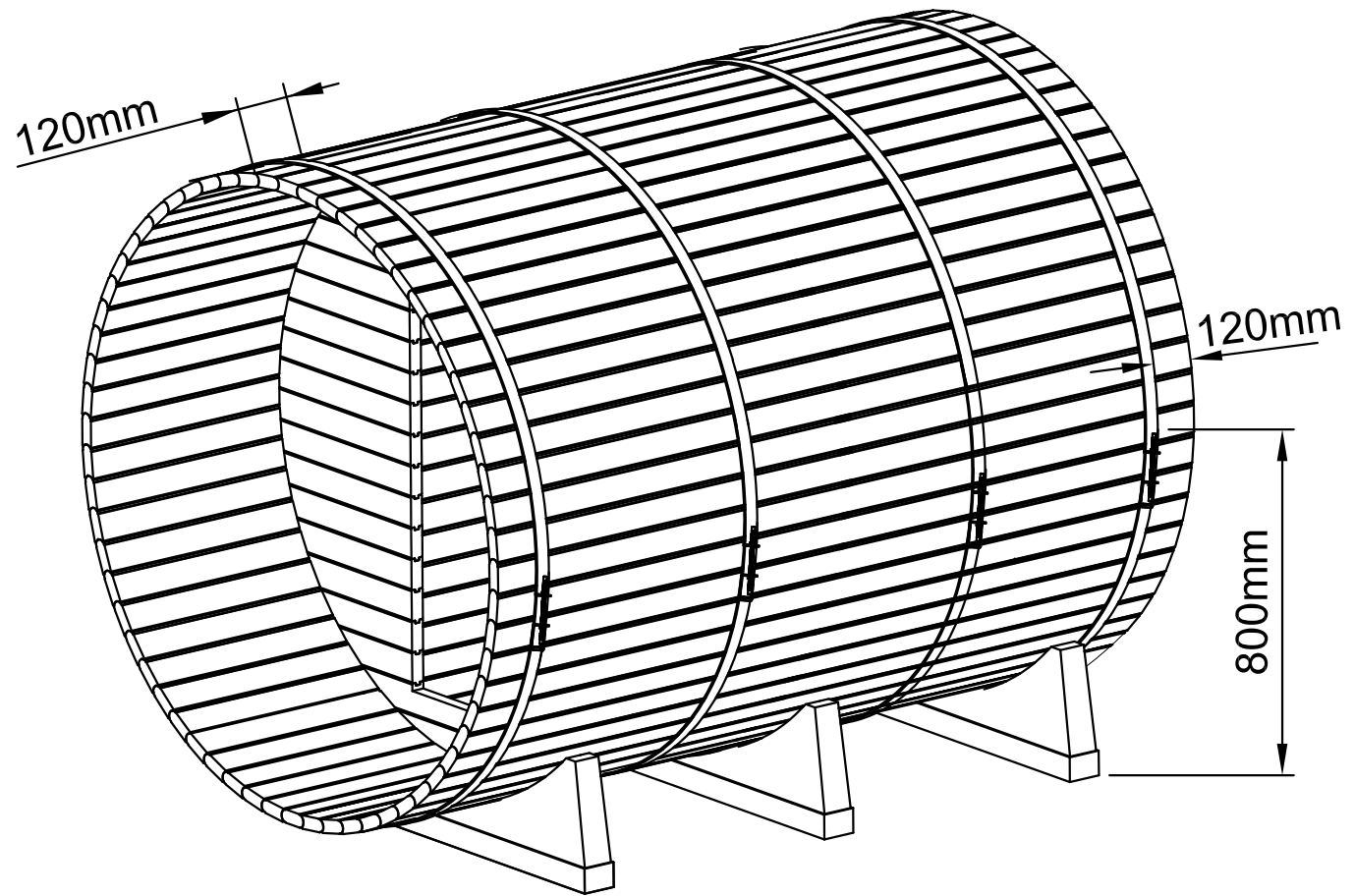




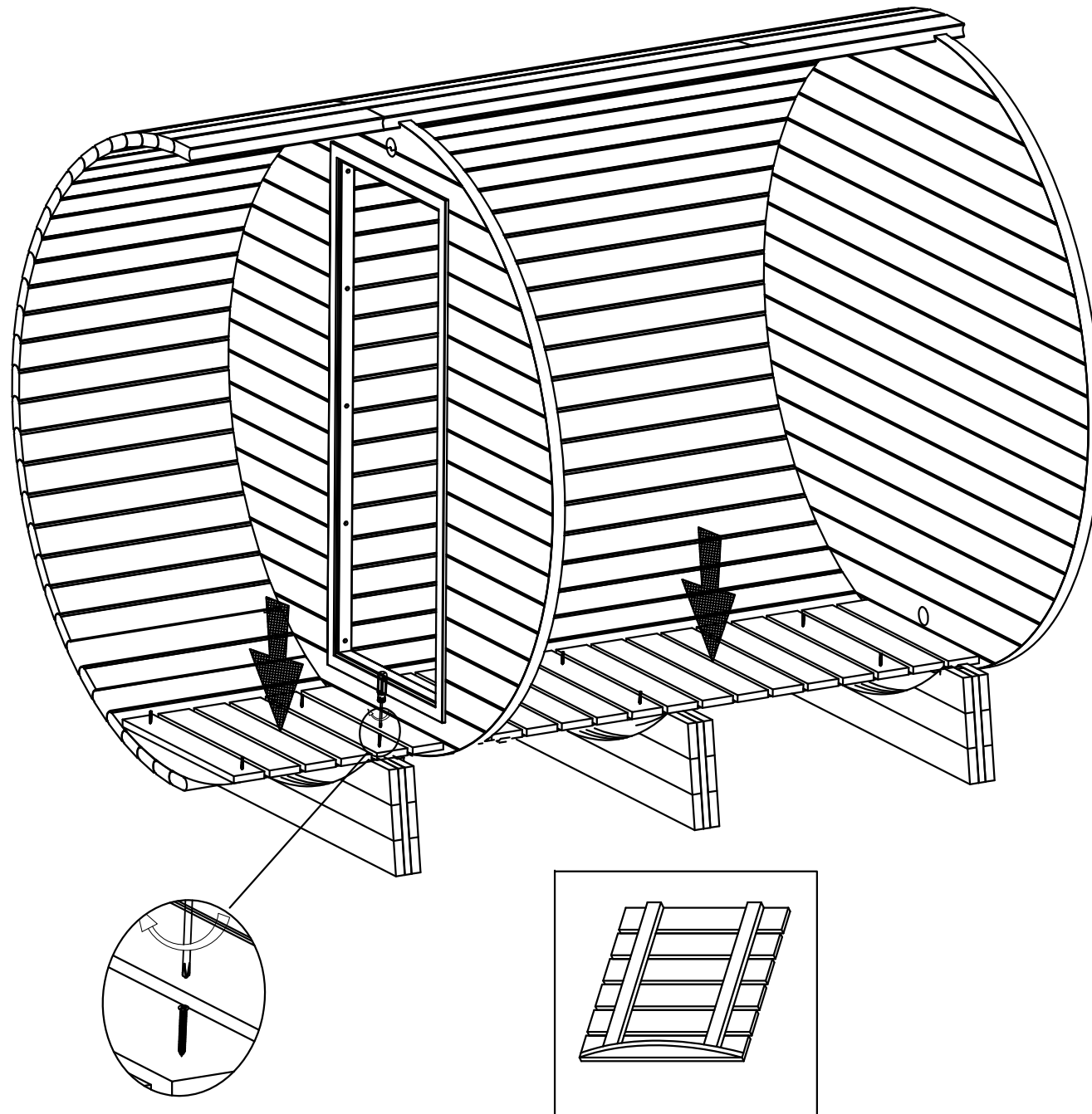
14.



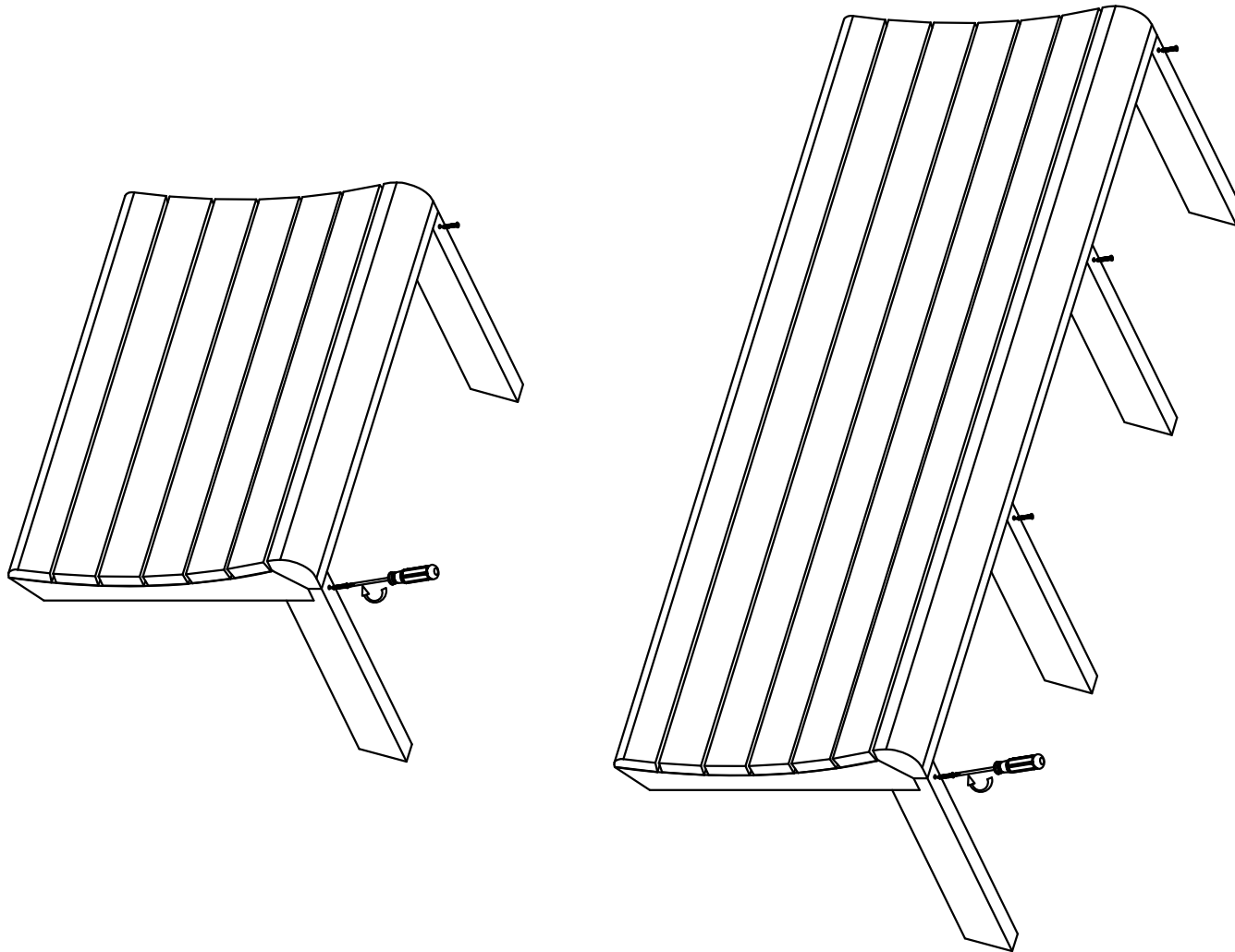
15.



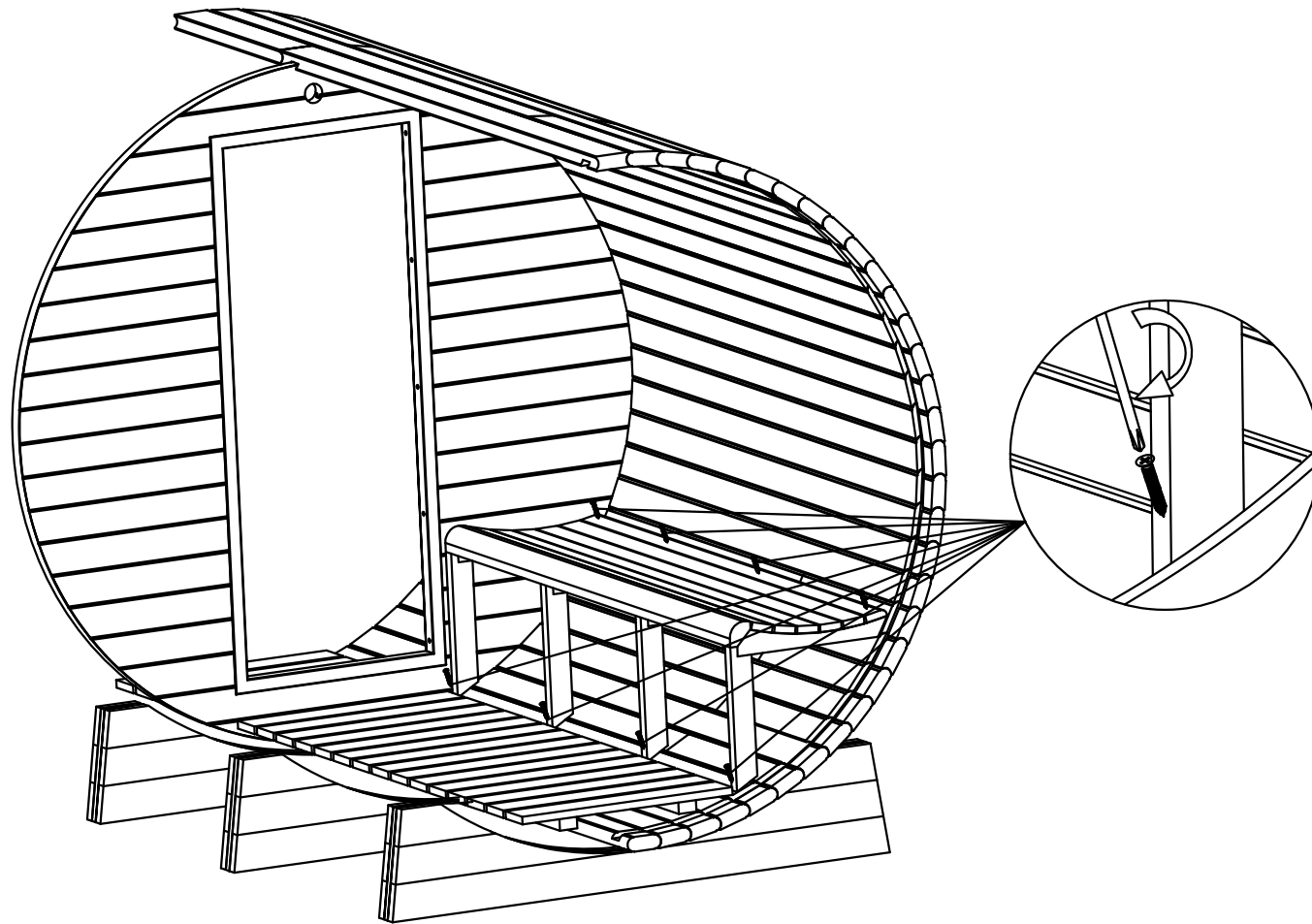
16.



17.

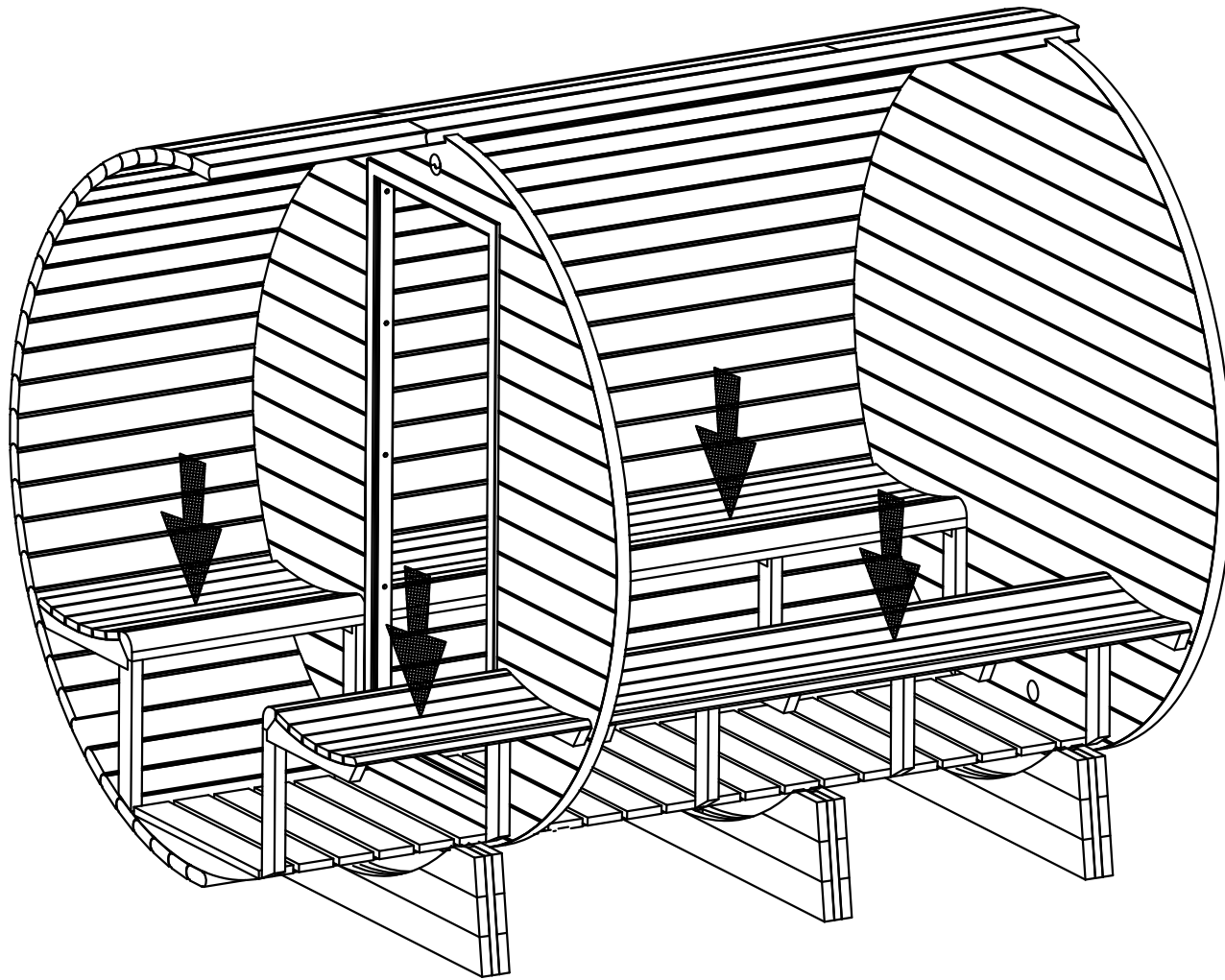


18.

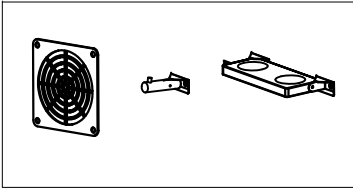
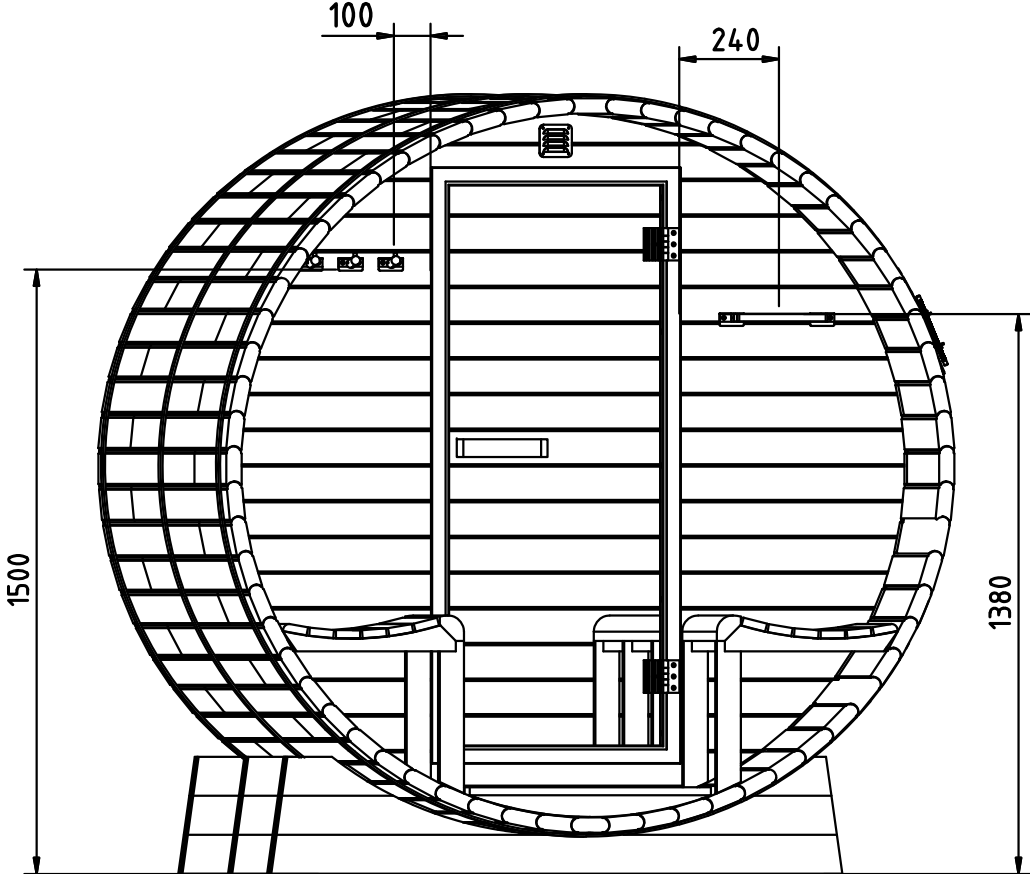


BENCH 6-3

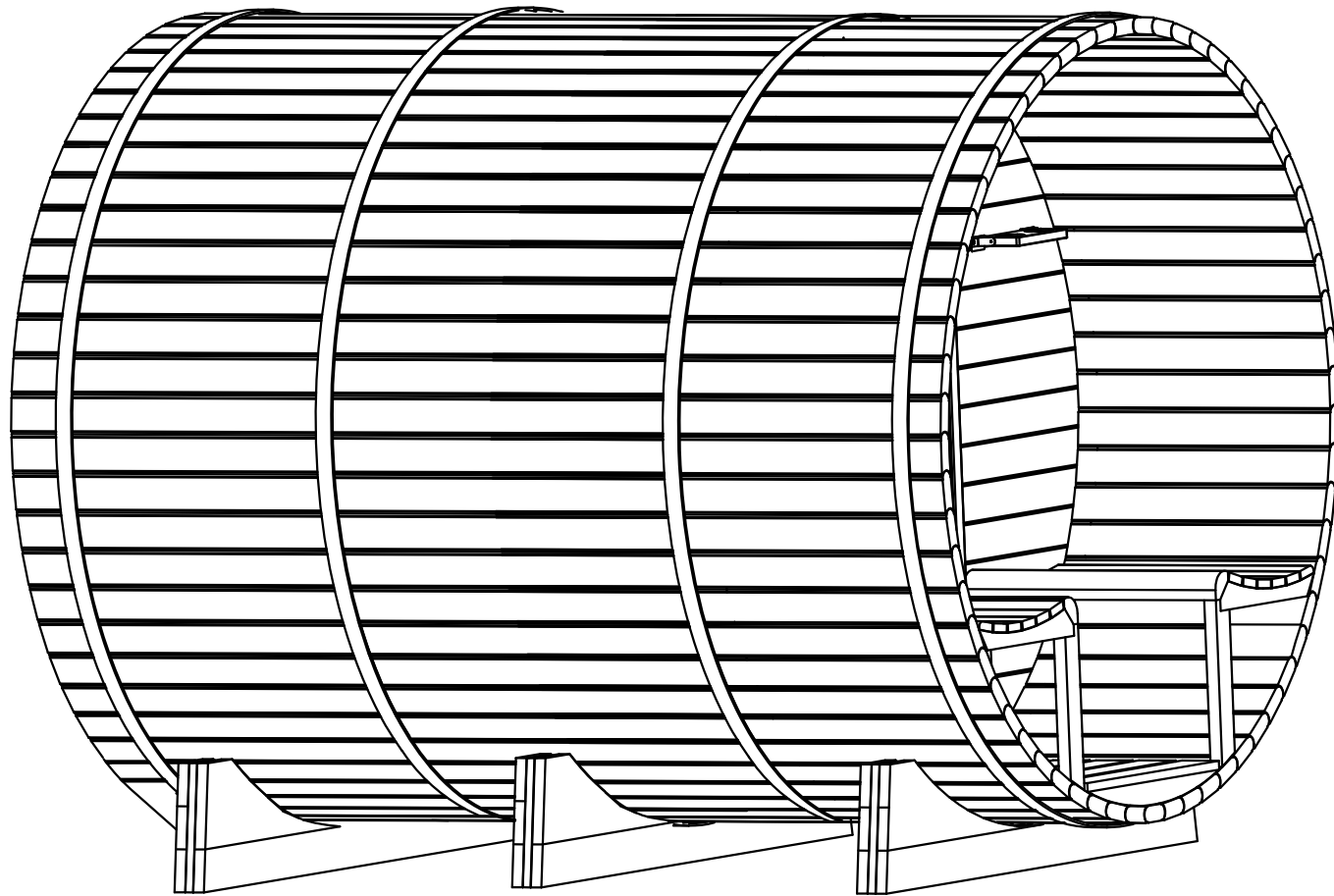
19.



20.

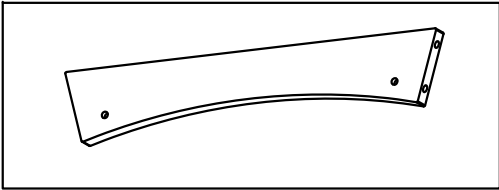
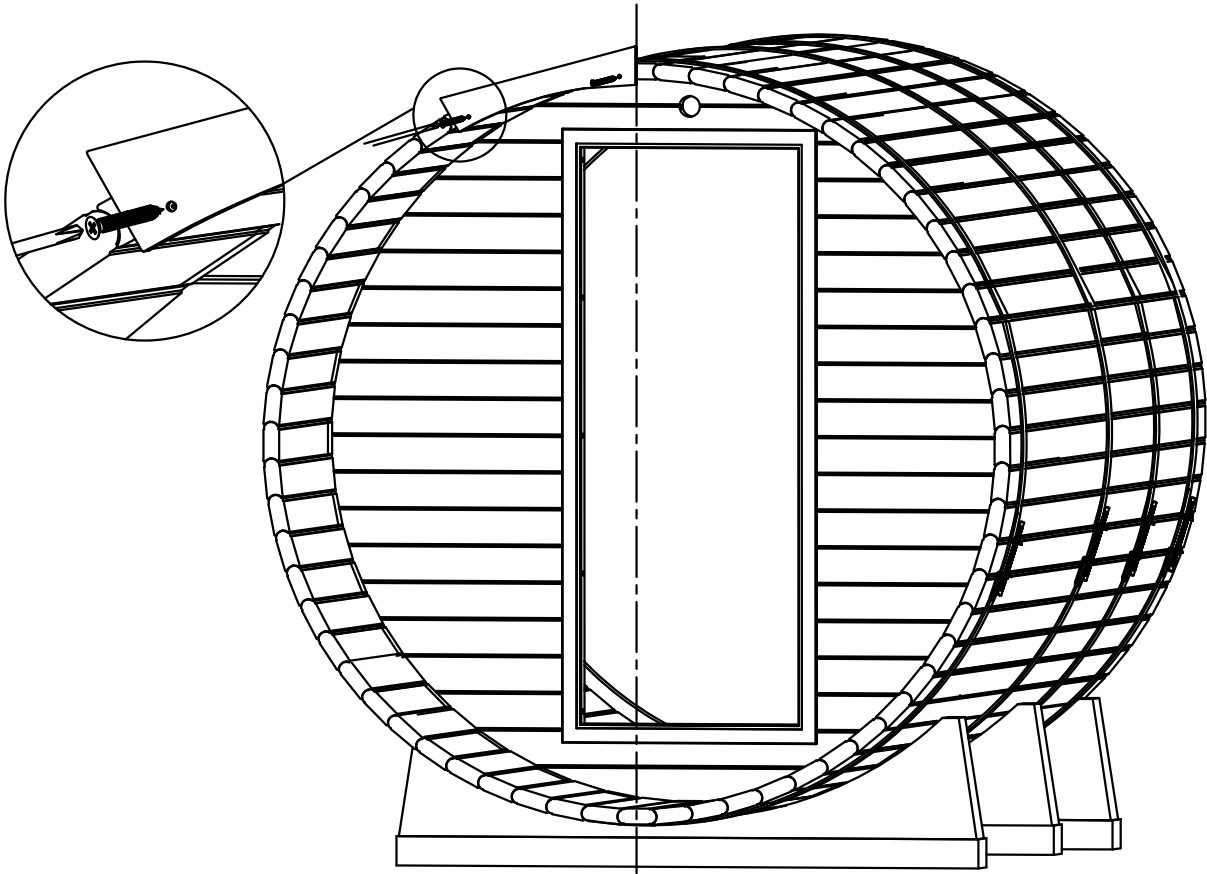


21.

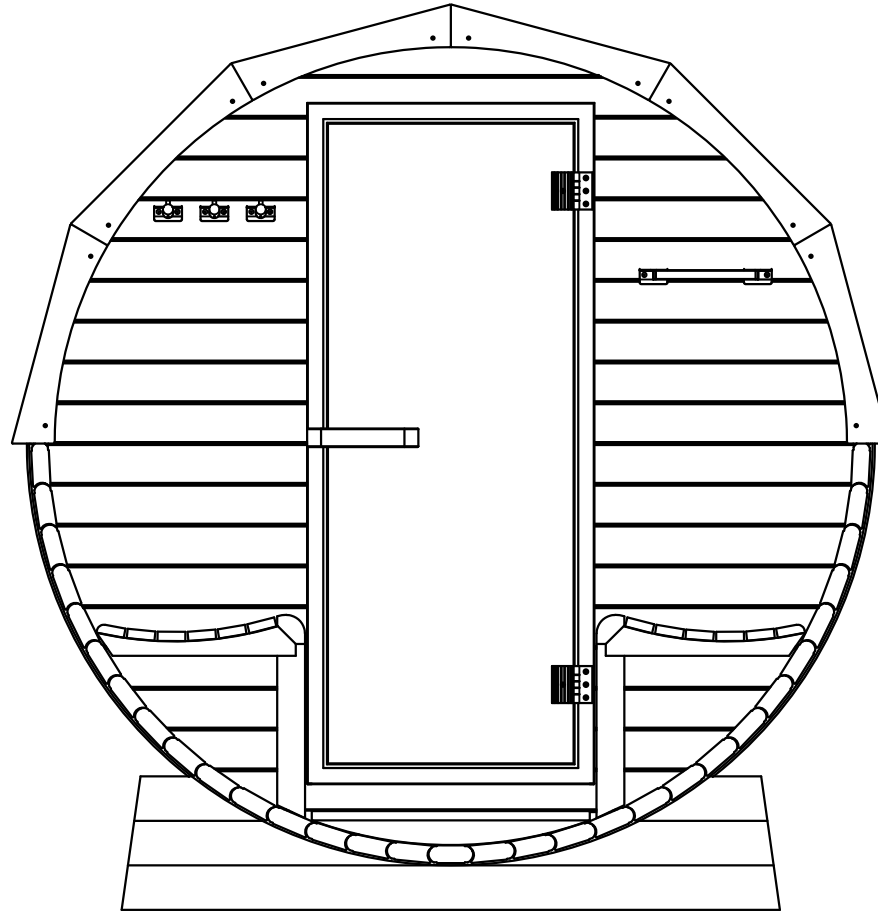




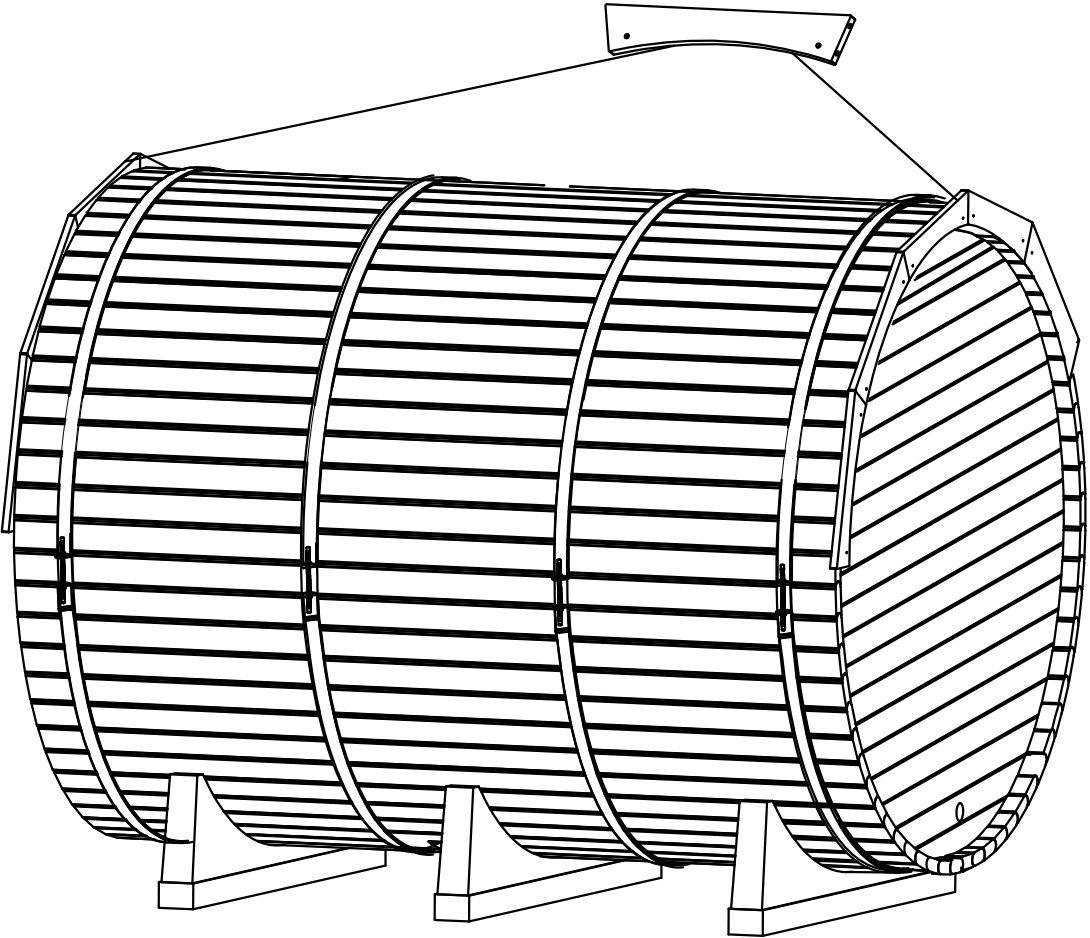
22.



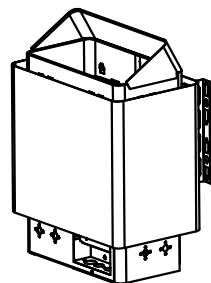
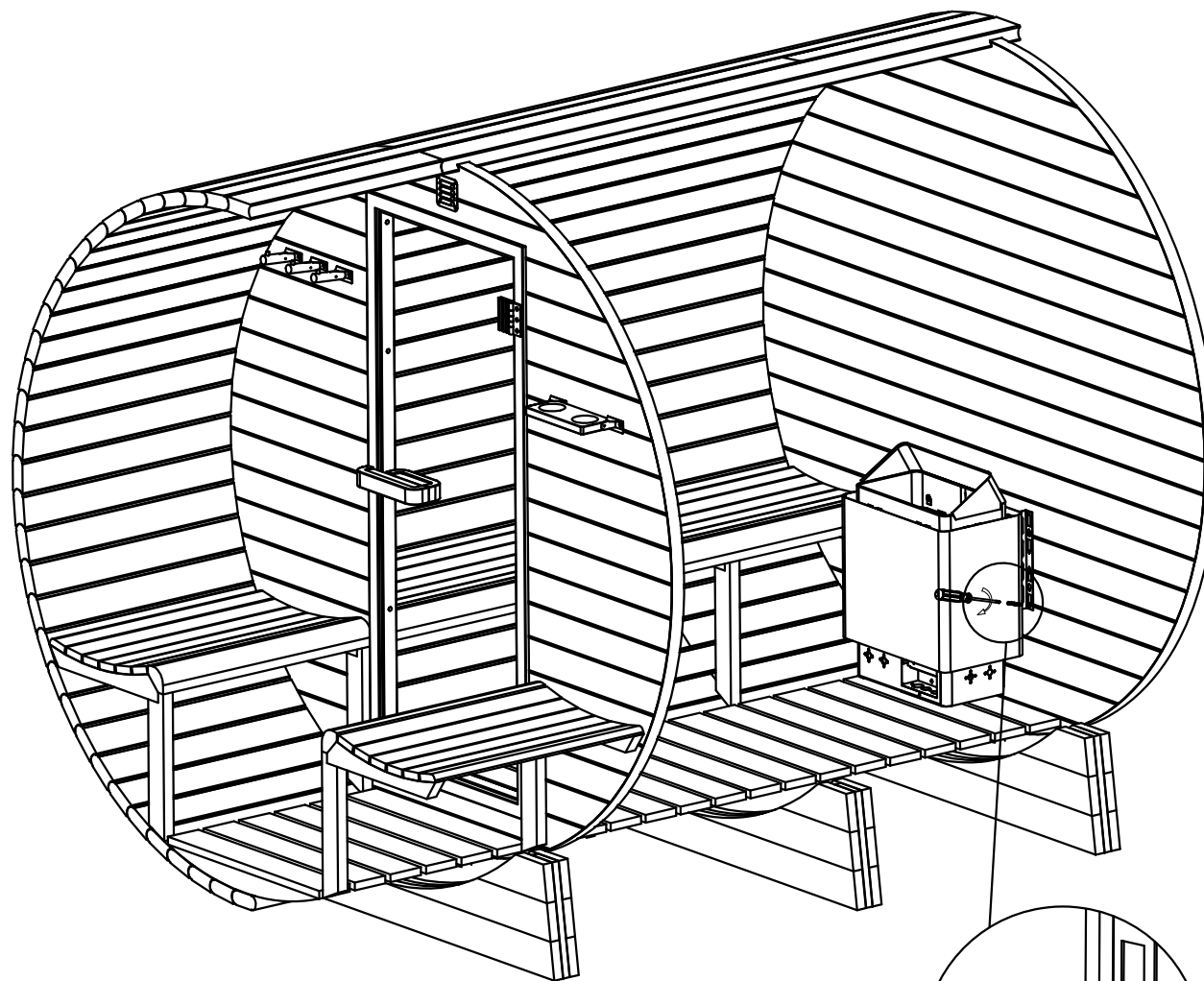
23.



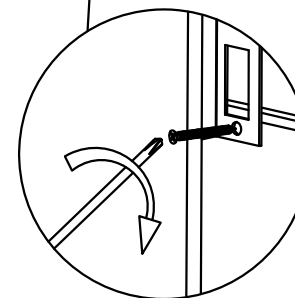
24.



25.



REMARKS:  
NO SPECIAL REQUIREMENTS,PLEASE FOLLOW  
THE ORDINARY SAUNA AND GUARDRAIL,THIS  
SIAGRAM IS ONLY USED AS AN INSTALLATION  
REFERENCE



26.

