



# Manual Awning Installation Guide

## 2 Arm Black Frame

### CONTACT US:

833-926-2323 | [hello@aleko.com](mailto:hello@aleko.com)

### Intended for Sizes:

10' x 8' & 12' x 10' & 13' x 10'



Scan for Assembly Video or  
visit our Youtube @aleko8354

# CONTENTS



Scan for Assembly Video or  
visit our Youtube @aleko8354

Safety Warnings.....	1
Parts Directory.....	4
Assembly Overview.....	6
Tools Needed.....	7
Assembly.....	8
Wall Mounting.....	19
Remote Pairing.....	28
Limit Switch Programming.....	30
Troubleshooting.....	34
Additional Safety Warnings.....	38

**Have a question? We're here to help!**

Call or email to speak with one of our Product Experts.

**833-926-2323 [hello@aleko.com](mailto:hello@aleko.com)**

# SAFETY WARNINGS

To ensure personal safety and to get the most out of your investment, please read this entire manual and watch our assembly video before beginning the installation process.

If you feel this process is too difficult, we advise that you seek assistance from a local building or home improvement contractor.

**WARNING! DO NOT remove the safety wrap** that secures the awning arms until instructed to do so. Improper assembly and operation of your awning can result in severe personal injury as well as product failure not covered by warranty.

Please follow all instructions carefully or contact technical support at **833-926-2323** or **hello@aleko.com** for assistance.



# SAFETY WARNINGS

Failure to follow these instructions can result in a broken product or personal injury. Please be attentive to each step.

## **PREPARING YOUR WORKSPACE**

Open the awning package carefully to avoid damaging the product or causing injury to yourself.

## **DO NOT REMOVE THE SAFETY SLEEVES THAT HOLD THE ARMS DOWN UNTIL SPECIFIED**

The awning arms will spring.

## **INSTALL ALL SCREWS TIGHTLY**

Failure to do so could result in the collapse of the awning and cause personal injury or death.

## **NEVER INSTALL IN AN AREA WITH HIGH WINDS**

The awning could fall and cause injury or property damage.

## **DO NOT INSTALL IN AN AREA THAT RECEIVES EXCESSIVE VIBRATIONS**

## **FOR MOTORIZED AWNINGS**

Do not operate the Awning with the remote before the limit positions are properly set, especially the RETRACT Position.



# SAFETY WARNINGS

## **DO NOT INSTALL THE AWNING IN HIGH TEMPERATURE PLACES**

This could be places such as walls near furnaces.

## **NEVER PLACE HEAVY ITEMS ON THE AWNING FRAME**

This can cause it to fall.

## **CLOSE THE AWNING IN STORM CONDITIONS**

Excessive wind and rain can cause damage your awning.

## **TWO ADULTS ARE REQUIRED FOR SUCCESSFUL AND SAFE ASSEMBLY**

## **DO NOT OPERATE THE AWNING BEFORE BOTH LIMIT POSITIONS ARE PROPERLY SET**

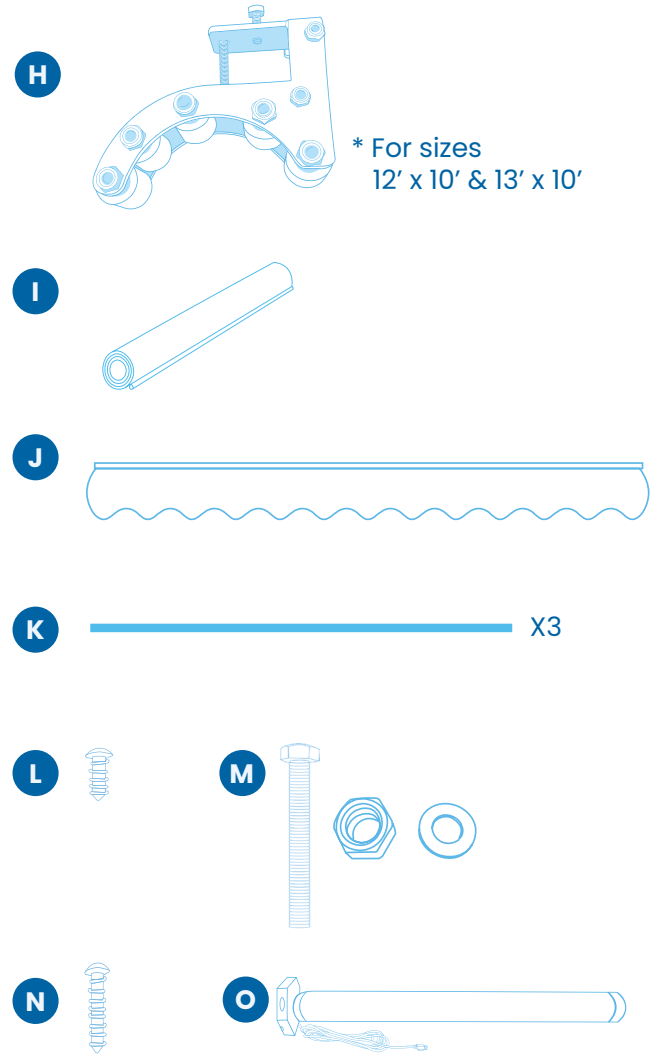
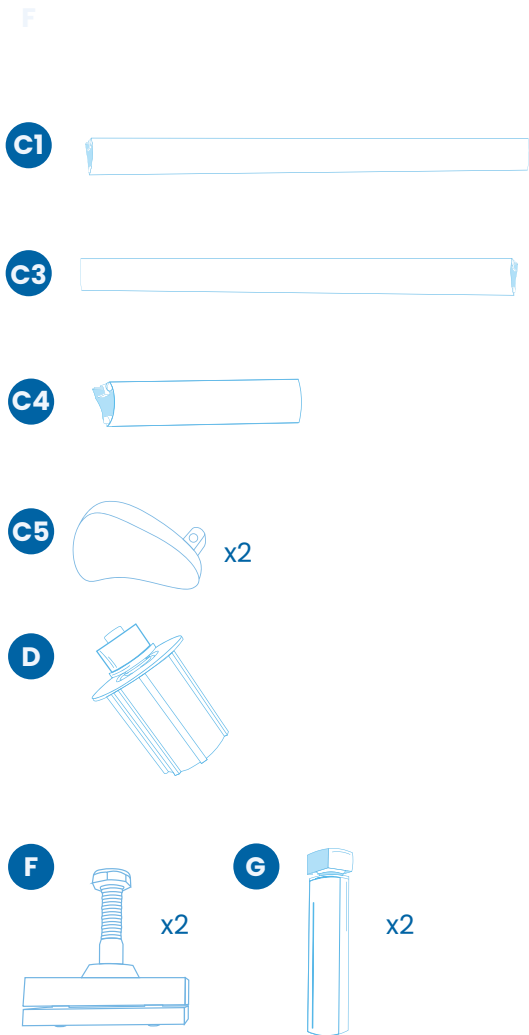
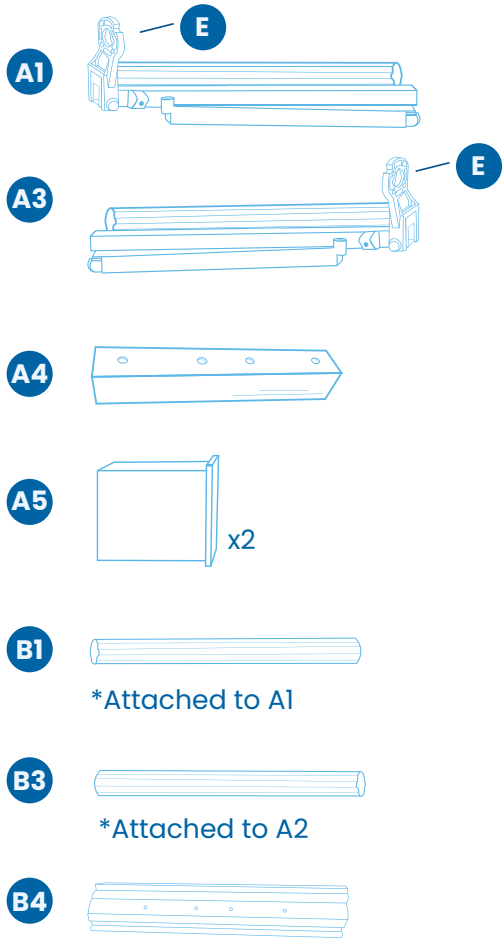
The extend and retract positions of the awning may shift after assembly. For safety reasons, double-check and re-adjust both positions before use.



# PARTS

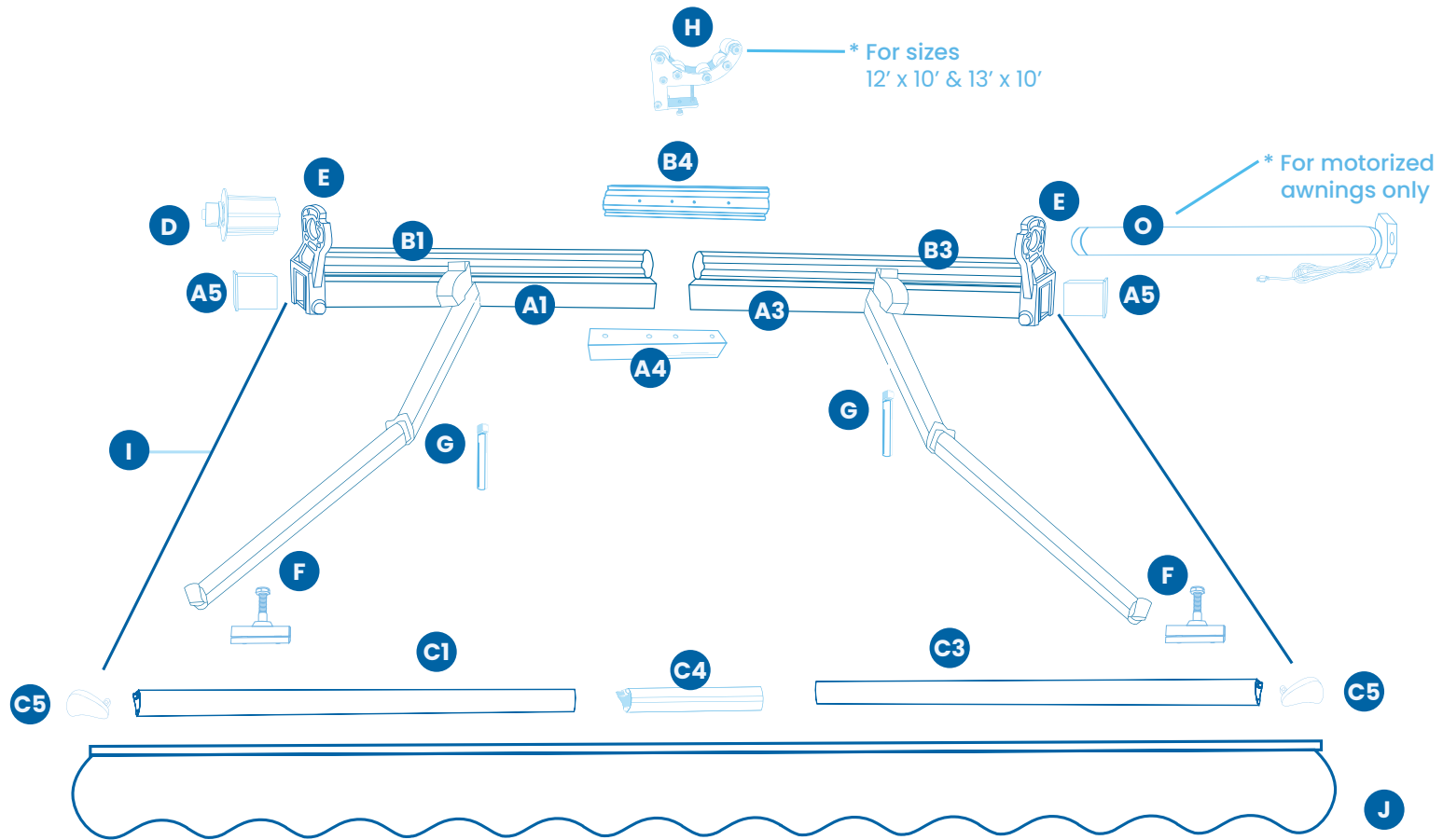
# DIRECTORY

- A1** Torsion Bar (Left)
- A3** Torsion Bar (Right)
- A4** Torsion Bar Connector
- A5** Torsion Bar Cover x2
- B1** Roller Tube (Left)
- B3** Roller Tube (Right)
- B4** Roller Tube Connector
- C1** Front Bar (Left)
- C3** Front Bar (Right)
- C4** Front Bar Connector
- C5** Front Bar Cover x2
- D** Round Shaft
- E** Roller Support x2
- F** Blocker x2
- G** Arm Bar Link x2
- H** Center Roller Support
- I** Awning Fabric
- J** Awning Fabric Valence
- K** Fabric Cord x3 (2 Thick, 1 Thin)
- L** M4 Screws
- M** M6 Bolts (& Nuts + Washers)
- N** Front Bar Cover Screws
- O** Motor (Only Comes with Motorized Awnings)



\* Only used with  
motorized awnings

# ASSEMBLY OVERVIEW

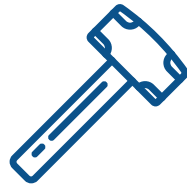




# TOOLS NEEDED



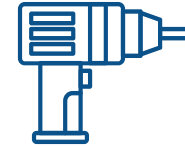
Measuring Tape



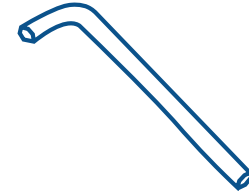
Rubber Mallet



Phillips Head  
Screw Driver



Power Drill  
1/4" Drill Bit



19mm  
Hex Key



Leveler



Ladder x2



Socket Wrench  
(17mm & 14mm & 10mm)

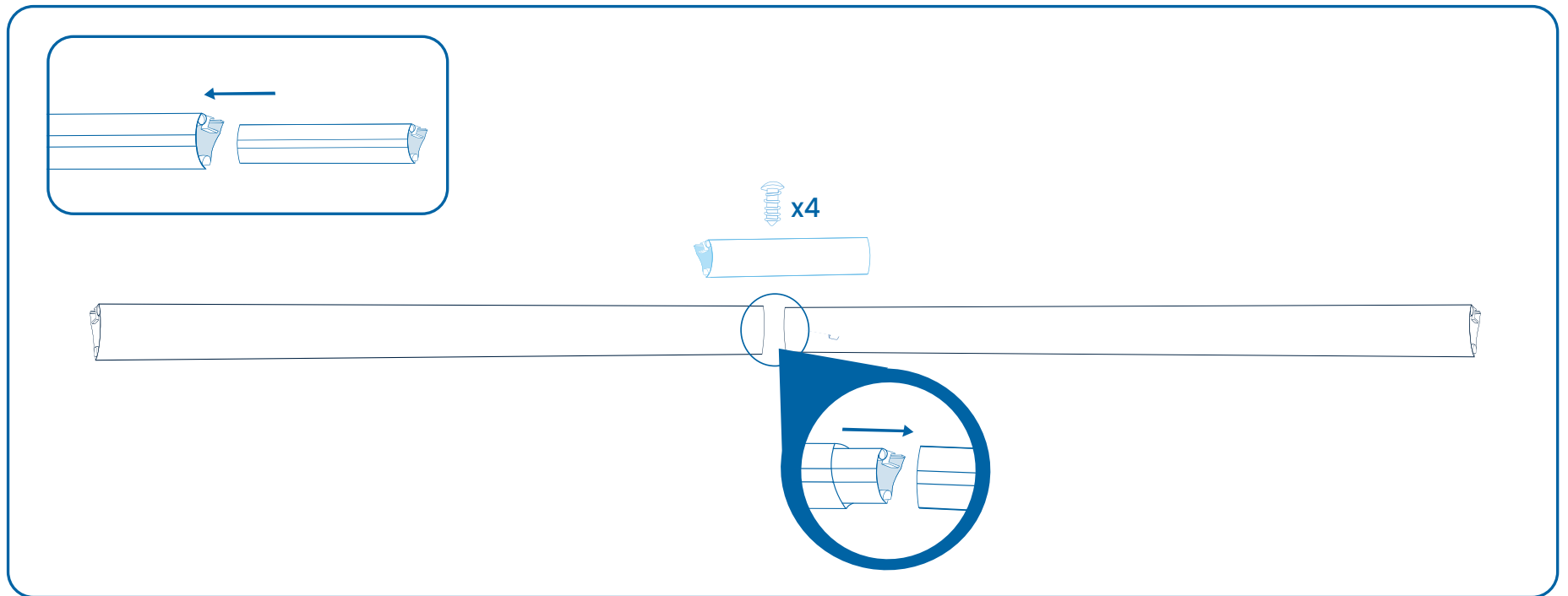


Limit Switch Allen Key  
(\*Comes with Awning)

## STEP 1:

### Assemble the Front Bar

Using the **(C4) Front Bar Connector**, assemble the **(C1-C3) Front Bar**. Tap the pieces together using a rubber mallet, and secure with **(L) Screws**.





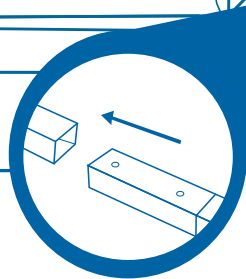
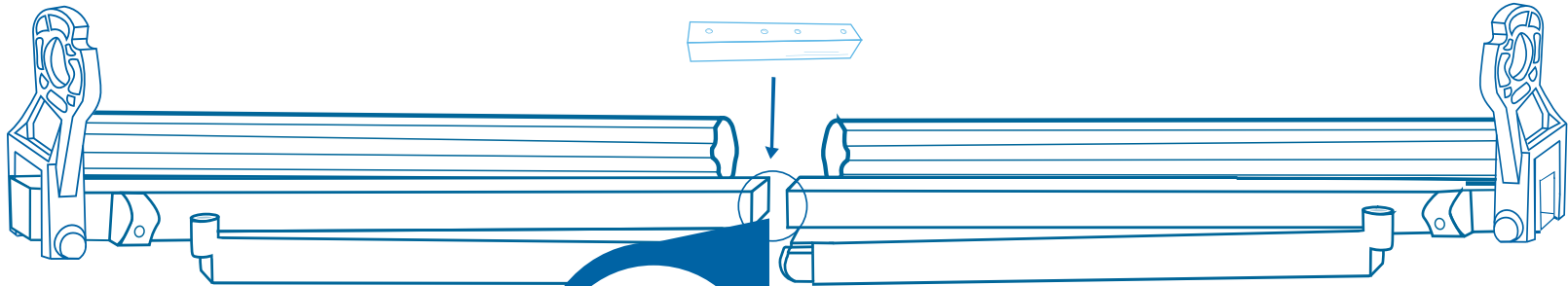
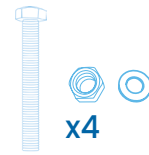
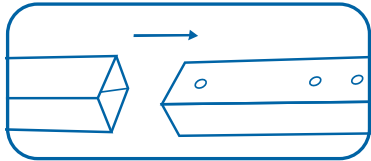
## STEP 2:

### Assemble the Torsion Bar

Using the **Torsion Bar Connector (A4)**, assemble the **Torsion Bar (A1-A3)**. Tap the pieces together using a rubber mallet and secure with **(M) Bolts**.



**WARNING! DO NOT REMOVE THE SAFETY SLEEVES THAT HOLD THE ARMS DOWN!**



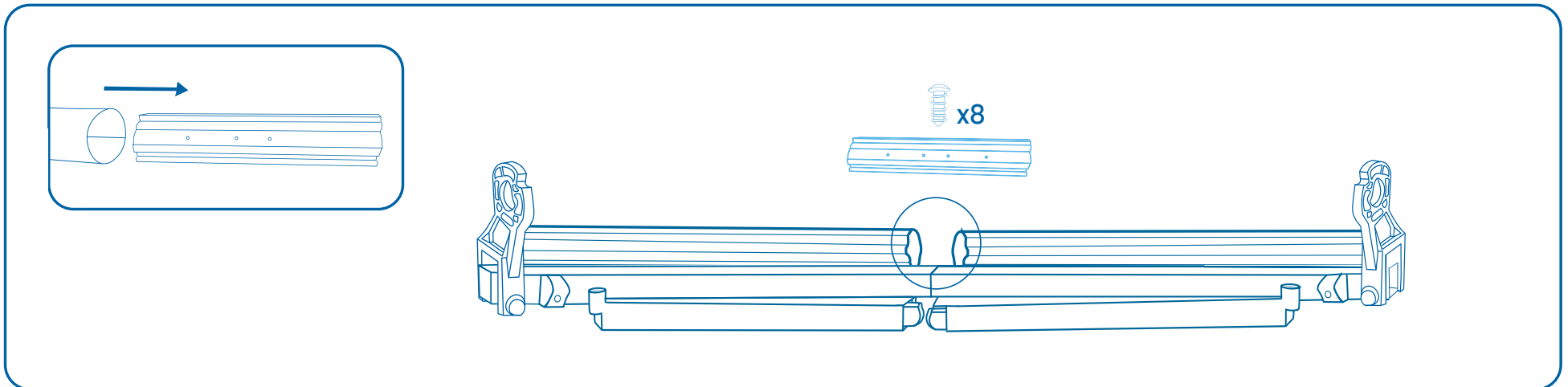
## STEP 3:

### Assemble the Roller Tube

Using the **Roller Tube Connector (B4)**, assemble the **Roller Tube (B1-B3)**. Tap the pieces together using a mallet and use **(L) Screws** to secure.



TIP: YOU CAN USE THE MANUAL HAND CRANK TO ACCESS THE PRE-DRILLED SCREW HOLES ON THE RIGHT SIDE ROLLER TUBE.

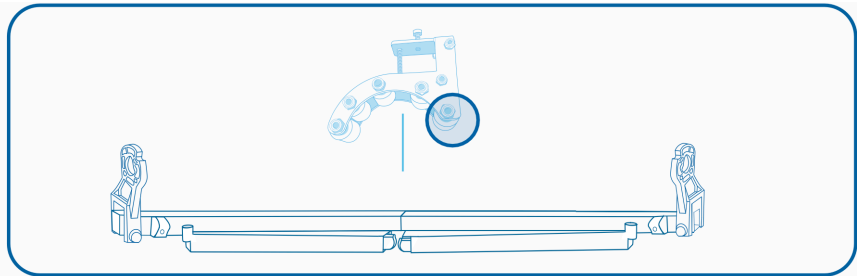




## STEP 4:

### Assemble the Center Roller Support

Remove the Long Bolt from the **(H) Center Roller Support**. Attach the **(H) Center Roller Support** to the **(A3) Torsion Bar**.

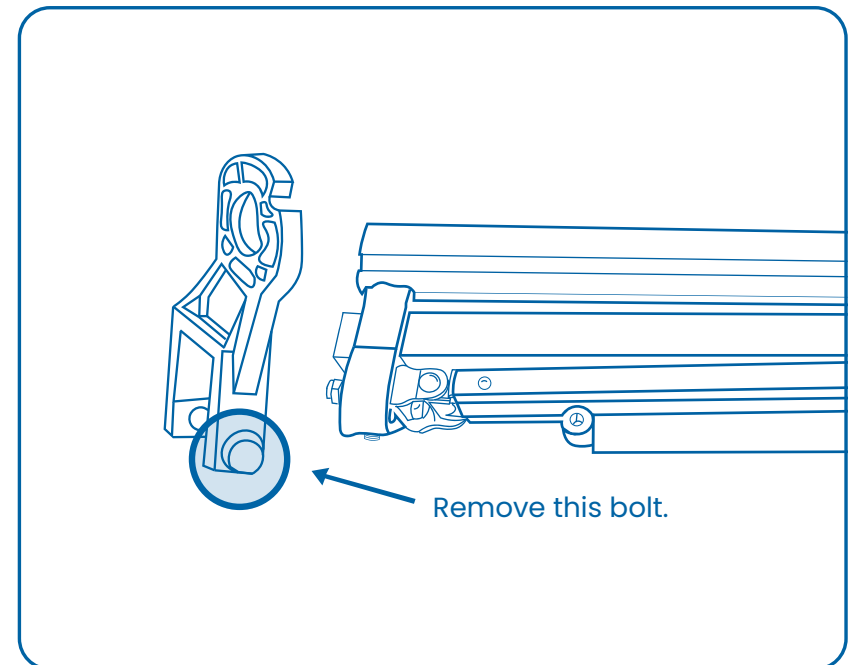


Re-attach the Long Bolt to **(H) Center Roller Support** and tighten to secure.

## STEP 5:

### Remove the Side Roller Support

Remove both **(E) Side Roller Supports** to prepare for fabric and motor assembly. If you don't have a motor, only remove one side.



## STEP 6:

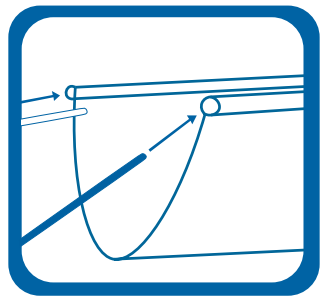
### Thread the Fabric Cord into Awning Fabric & Valance



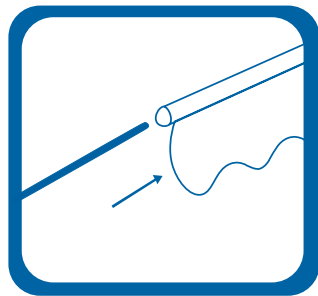
Tip: These steps are easier to complete with two people.

Three **(K) Cords** are included with fabric: 1 Thin Cord and 2 Thick Cords.

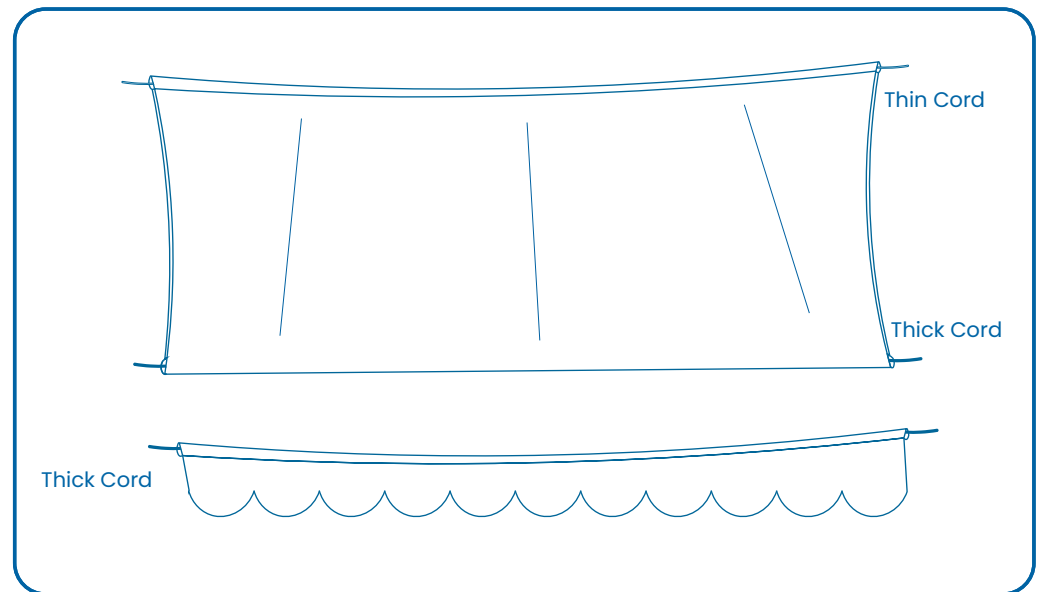
Thread one Thick and one Thin Cord through opposite ends of **(I) Awning Fabric**. Thread the remaining thick cord through the **(J) Valance**.



Thin & Thick Cord



Thick Cord





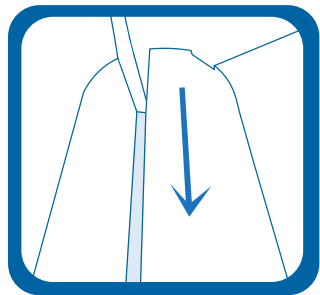
## STEP 7: Assemble the Fabric & Valance Onto the Awning Frame

Insert the **(I) Awning Fabric** (Thin Cord side) into the **(B1-B3) Roller Tube**.

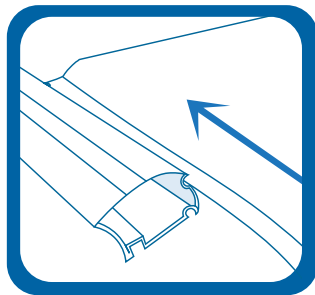
Then, insert the other side of the **(I) Awning Fabric** (Thick Cord side) and the **(J) Valance** into the **(C1-C3) Front Bar**.



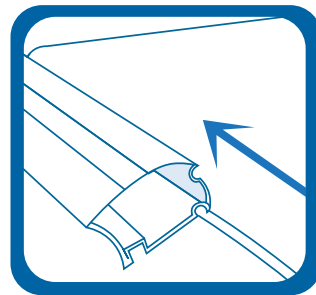
Tip: If the fabric gets caught where the seams are located, wiggling the fabric will help get it unstuck.



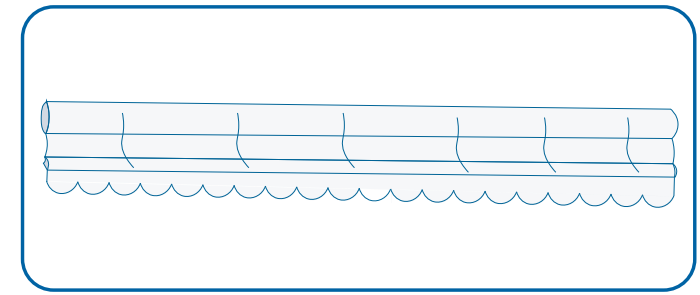
Top Side of Fabric  
into Roller Bar



Bottom Side of  
Fabric into Front Bar



Valance into  
Front Bar

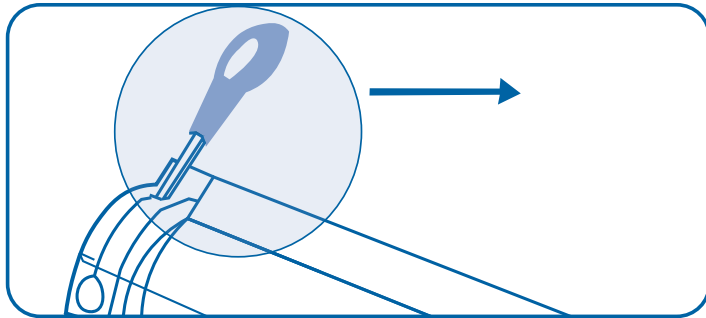


## STEP 8:

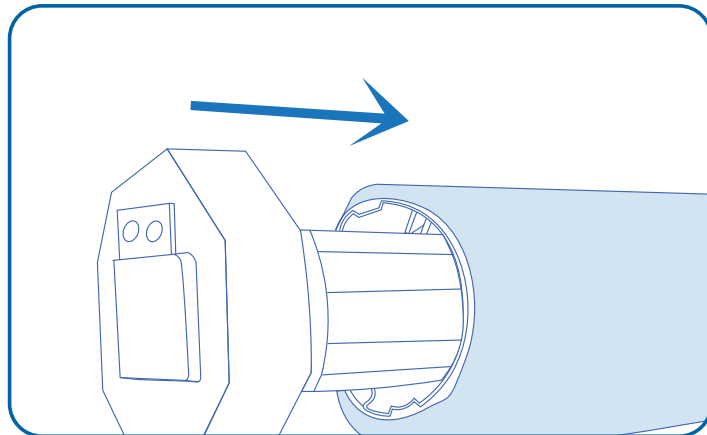
### Assemble the Motor for Motorized Awnings

If you have a motorized awning, complete these steps:

Remove the Hand Crank.



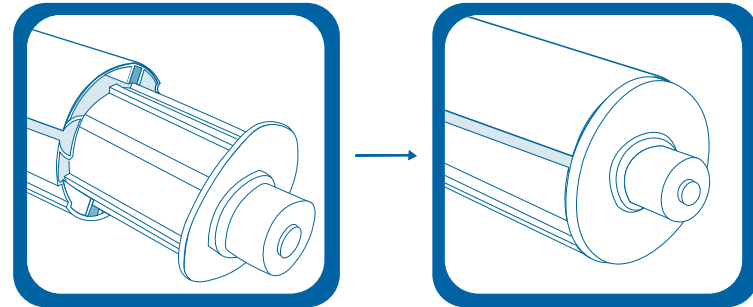
Insert the Motor into the Right side Roller Tube.



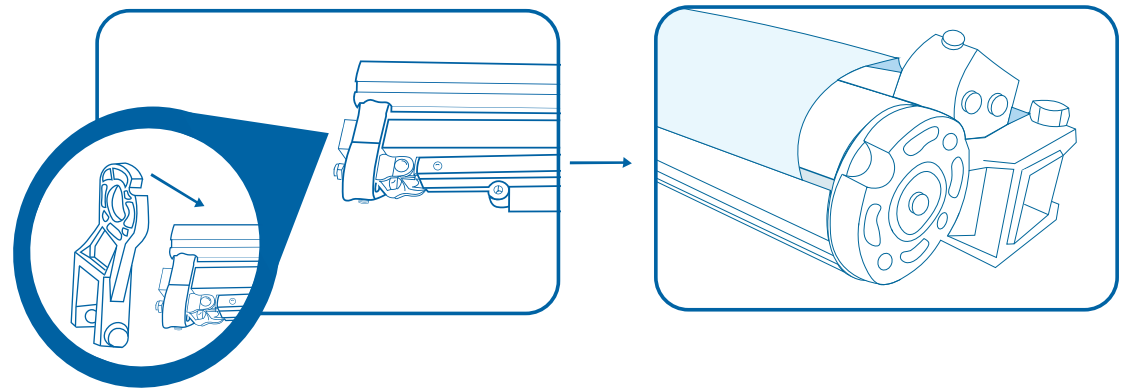
## STEP 9:

### Reassemble the Side Roller Support

Insert the **(D) Round Shaft** into the **(B1) Roller Tube** (opposite side of motor).



Reattach both **(E) Side Roller Supports** and tighten bolts to secure.

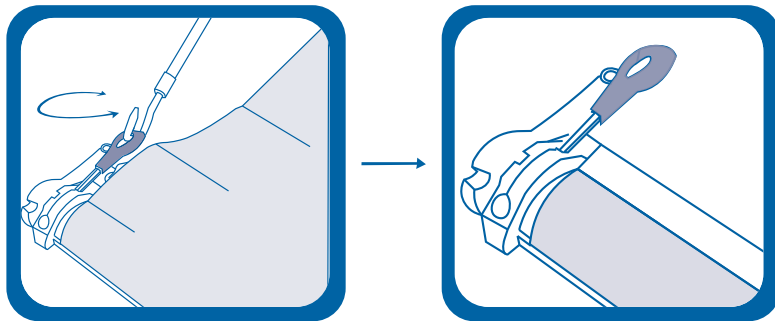






## STEP 10: Use Manual Hand Crank to Roll Up Fabric

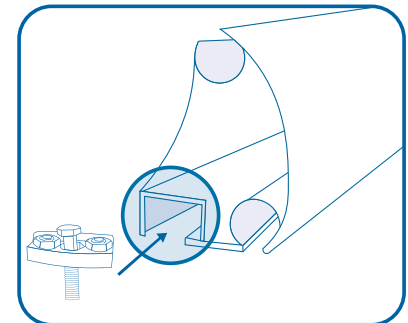
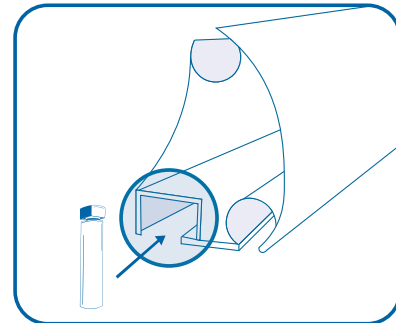
With one person holding the **(C1-C3) Front Bar**, use the **Manual Hand Crank** to roll the fabric up taut.



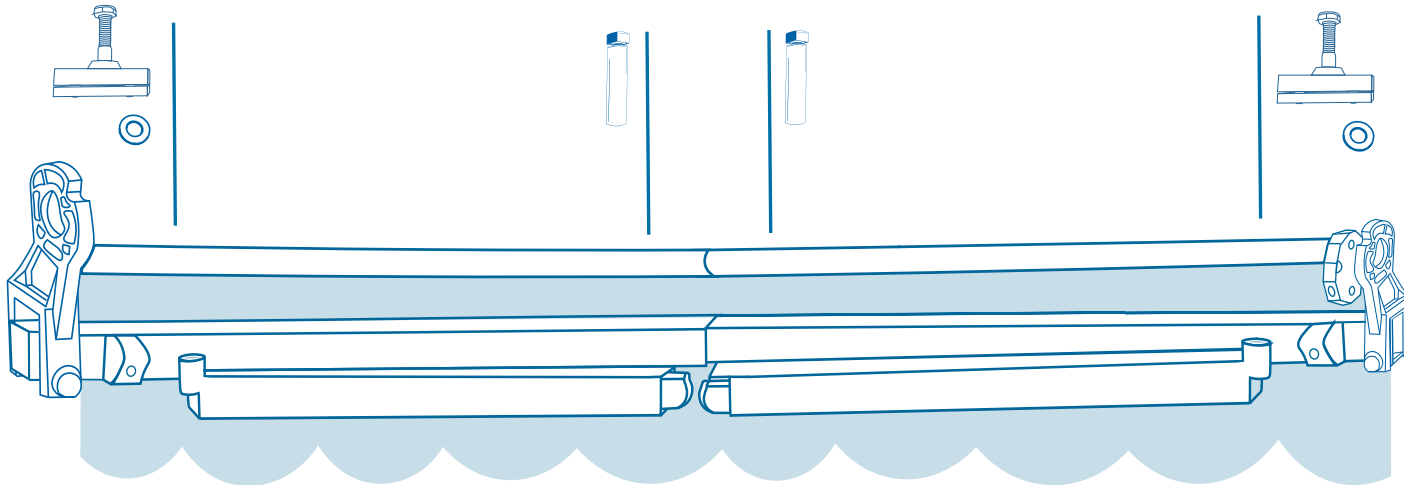
## STEP 11: Insert Arm Bar Links & Blockers into the Front Bar

Insert the **(F) Blockers** into the **(C1-C3) Front Bar** and line them up 3-5" from each arm's elbow. Tighten to secure.

Insert **(G) Arm Bar Links** into the **(C1-C3) Front Bar** and line them up with the Arm's Connector Points. Tighten to secure.  
*See page 16 for overview diagram.*



**STEP 11 Overview:**  
**Insert Arm Bar Links & Blockers into the Front Bar**

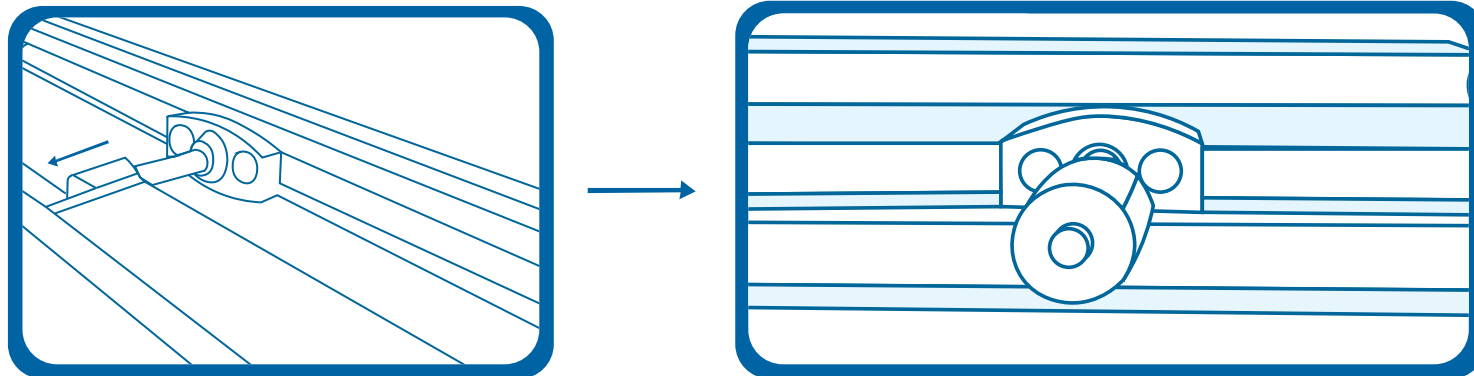




## STEP 12:

### Attach Arm Bar Links to Awning Arms

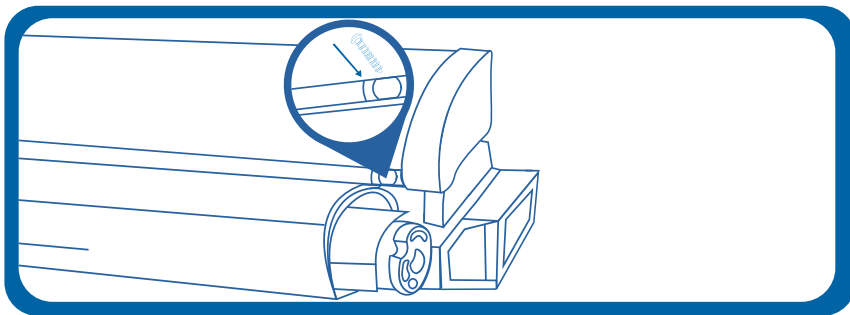
Remove **(G) Arm Bar Link** Nuts and insert the links into the Arm Connector Points. Re-attach nuts to secure (hand tighten).



## STEP 13:

### Assemble the Front Bar Covers

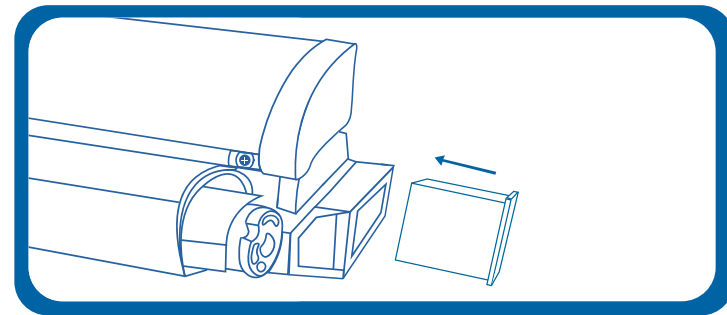
Attach the **(C5) Front Bar Cover** on both ends of the **(C1-C3) Front Bar** and secure with **(N) Screw**.



## STEP 14:

### Assemble the Torsion Bar Covers

Attach the **(A5) Torsion Bar Covers** on both ends of the **(A1-A3) Torsion Bar**.



**WARNING! DO NOT REMOVE THE SAFETY SLEEVES THAT HOLD THE ARMS DOWN UNTIL INSTRUCTED TO DO SO ON PAGE 25!**



# WALL MOUNTING SAFETY WARNINGS

Never attempt to secure the wall brackets to loose wall stones or any surfaces that are not absolutely firm.

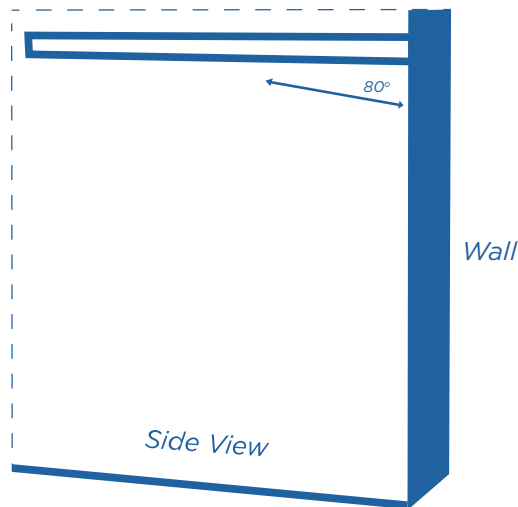
## **FASTEN MOUNTING BRACKETS**

It is critical that you fasten all mounting brackets to studs, joists, headers, or other major structural components.





Failure to securely fasten all the brackets to the wall could result in the collapse of the awning and cause personal injury or death.

## Mounting Height **Guide**

Consider the awning's drop area before installing your wall mounts. If you would like to install the awning above a patio door, for example, **leave at least 8" above** the door frame and ensure that the awning does not interfere with opening and closing the door. The drop angle can only be changed minimally.



### Measurements

-  8-12' Height
-  8" Space between the roof & bottom bracket hole
-  24" Drop
-  15° Slope

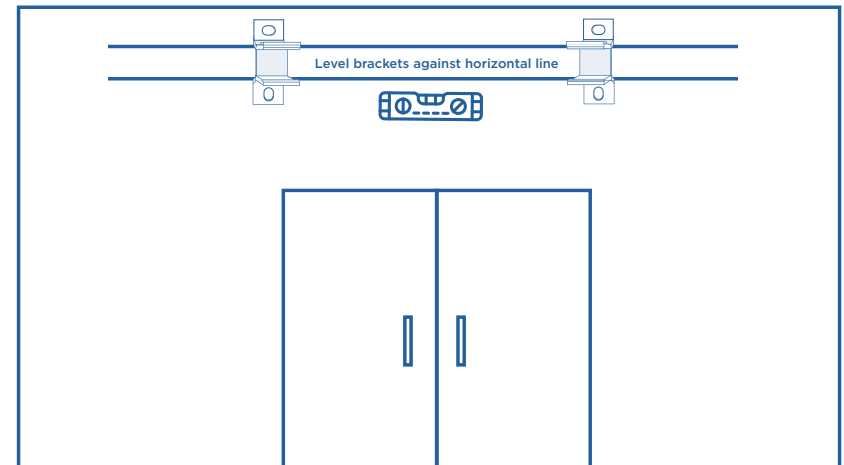


## Measure the **Mounting Site**

- 1 Measure the length of your awning along the wall where you intend to install it.
- 2 Use a leveler to make a chalk line across the distance. This line will be the highest point of your awning and will align with the top of the wall bracket.
- 3 Now that you have a straight, centered line, measure the middle point and mark it. This is where the middle bracket will be installed.
- 4 Take a wall bracket and place the top of it, completely level, under the line as shown in the diagram below. With chalk or a marker, mark the position of all the wall brackets and their bolt/screw holes.

## Measure the **Mounting Site**

- 1 Measure the length of your awning along the wall where you intend to install it.
- 2 Use a leveler to make a chalk line across the distance. This line will be the highest point of your awning and will align with the top of the wall bracket.
- 3 Now that you have a straight, centered line, measure the middle point and mark it. This is where the middle bracket will be installed.
- 4 Take a wall bracket and place the top of it, completely level, under the line as shown in the diagram below. With chalk or a marker, mark the position of all the wall brackets and their bolt/screw holes.



\* 10 x 8 size awnings have 2 Mounting Brackets and  
12 x 13 have 3 Mounting Brackets.





## Drill the **Bolt Holes**

**If you are mounting your awning to brick or concrete:**

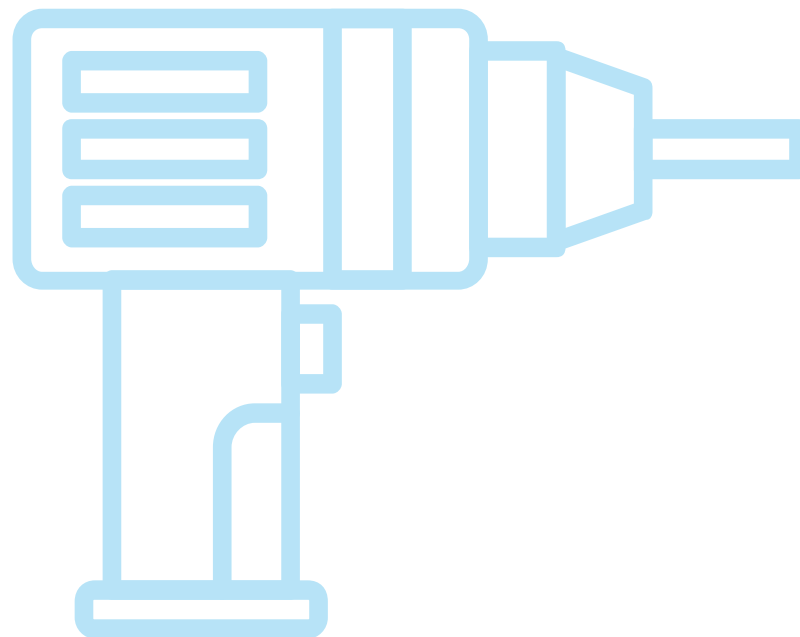
- Using a 16mm masonry drill bit, drill bolt holes approximately 4 inches deep.

**If you are mounting your awning to wood:**

- Drill holes with 7 mm bit to fit mounting screws.



**IMPORTANT!** All bolt/screw holes must be aligned vertically and horizontally to ensure that the awning hangs straight. The diameter and depth of your mounting holes must be the same size as your expansion bolts or mounting screws.



## Mounting the **Wall Brackets**

*Into brick or concrete*

- 1 Insert expansion bolts. It may be necessary to drive the bolts in with a wooden mallet. (If a mallet is necessary, we recommend placing the nut on the screw loosely before hammering to avoid damaging the bolt threads).
- 2 Make sure the bolts are firmly in place and stick out of the wall approximately 1 inch or less so that the wall bracket can be installed onto them.
- 3 Firmly tighten the bolts with a 19 mm Allen wrench. It is best to use a closed-end wrench to avoid damaging the nut, should it slip.
- 4 Now that the bolts are securely in the wall, remove the nuts and place wall brackets over the bolts. Then, place washers over the bolts and secure them with the nuts.
- 5 The brackets must sit firmly on the wall! If there is any movement, tighten them more.



ONCE MOUNTED, YOU CAN NOW CUT THE AWNING TAPE.

## Mounting the **Wall Brackets**

### *Into Wood Material*

Place the wall brackets over the holes you just drilled and secure with screws using a 7 mm bit.

## Mounting the **Awning**

Once the wall brackets are secure, place the awning (with two people!) on to the brackets and secure with (J-1) bolts and 10 mm socket wrench.



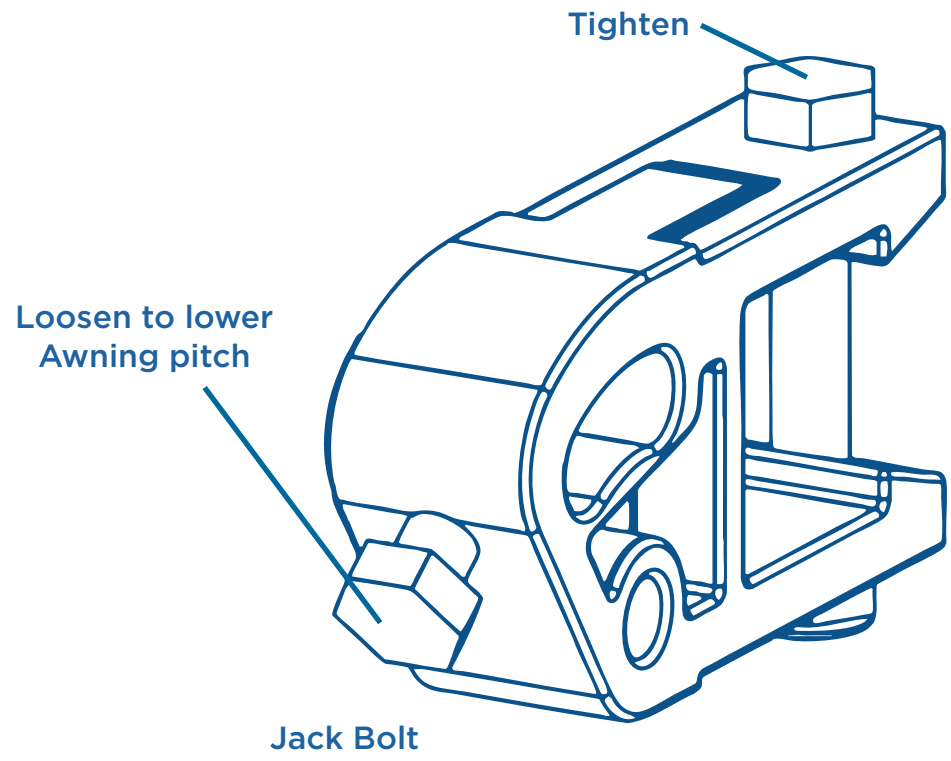
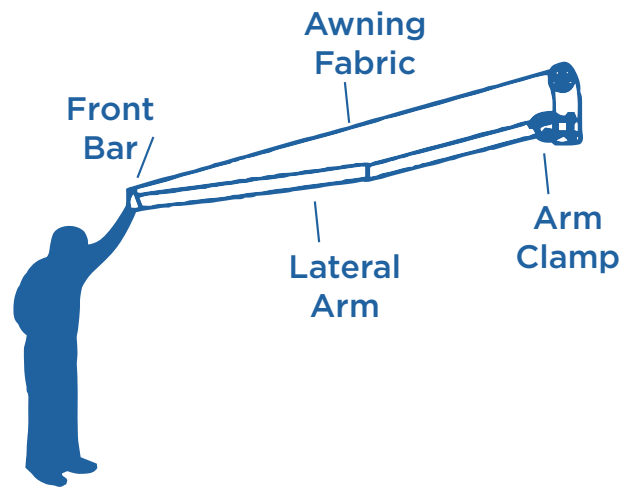
**IMPORTANT!** Do not attempt to open awning with motor until instructed to do so. Using the motor before setting up the deploy and retract positions can damage your awning.

## Adjust the **Awning Pitch**

- 1 Each awning comes with a pre-set pitch (angle) that is considered ideal. However, you may need to adjust the pitch slightly to ensure the awning is completely even when retracted.
- 2 To adjust your awning pitch, have someone help hold the front bar while you adjust the bolts on the torsion bar as shown in the diagrams.

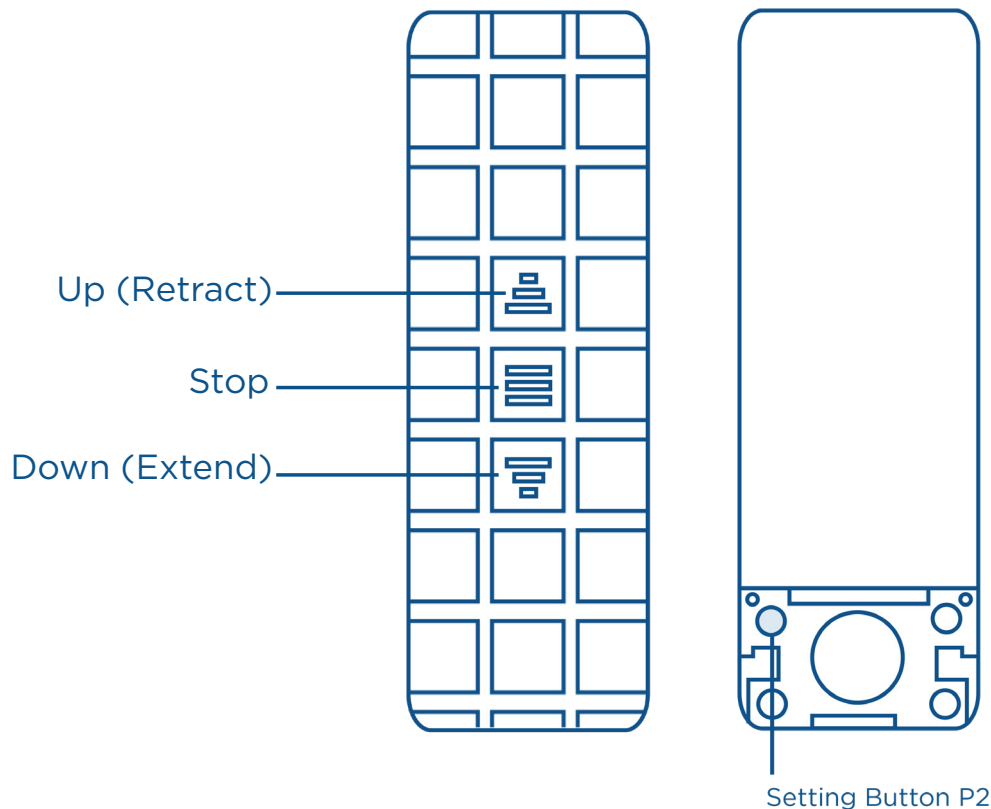


**IMPORTANT!** If you choose to raise the awning pitch, this will increase risk of rainwater pooling on the fabric. To prevent the awning from collapsing due to rainwater weight, you must retract the awning when unattended. Failure to do so could result in a broken awning or personal injury.



# Remote Pairing

## Remote Usage **Guide**



## Technical **Support**

Battery: DC3V/CR2430

Frequency: 433.05-434.79MHz

Operating Temperature: 14°F -122°F

Range: 30m Indoor, 200m Open Space



**IMPORTANT!** Do not attempt to open awning with motor until instructed to do so. Using the motor before setting up the deploy and retract positions can damage your awning.



# Remote to Awning Pairing

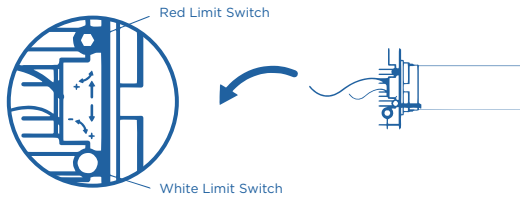
## For **Left-Facing** Motors

- 1 Unplug the Motor or switch off the power for 10 seconds. Then turn it back on. The Motor should beep and jog the motor to signify its in pairing mode.
- 2 Press the “P2” key on the remote. The Motor should beep.
- 3 Press the “P2” key again. The Motor should beep once more.
- 4 Press the **UP** remote button. The Motor should jog the awning once and beep several times.
- 5 Press the **UP** button again. **Once the Awning starts to retract, press the STOP button** and move on to the next steps. It’s important not to fully retract the Awning until the desired Extend and Retract Positions are set.

## For **Right-Facing** Motors

- 1 Unplug the Motor or switch off the power for 10 seconds. Then turn it back on. The Motor should beep and jog the motor to signify its in pairing mode.
- 2 Press the “P2” key on the remote. The Motor should beep
- 3 Press the “P2” key again. The Motor should beep once more.
- 4 Press the **DOWN** remote button. The Motor should jog the awning once and beep several times.
- 5 Press the **DOWN** button again. **Once the Awning starts to extend, press the STOP button** and move on to the next steps. It’s important not to fully extend the Awning until the desired Extend and Retract Positions are set.

# Limit Switch Programming

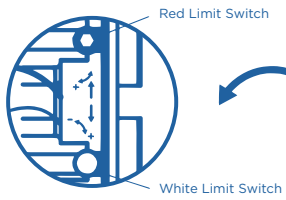


## Motor Head View on a Left Mounted Motor

### Set the Extend Position **For a Left Facing Mounted Motor**

<p>Press the <b>DOWN</b> button on the remote.</p>	<p><b>1</b> If the awning <b>automatically stops before the desired open position:</b></p>	<p>Use the <b>Limit Switch Allen Key</b> to turn the <b>Red Limit Switch</b> toward the “+” sign. Once the awning reaches the desired open position, you can stop adjusting the limit switch. The awning will move with every rotation.</p>	
	<p><b>2</b> If the awning <b>does not stop when it reaches desired open position:</b></p>	<p>Stop the <b>Motor</b>. Bring the awning back half way. Use the <b>Limit Switch Allen Key</b> to turn the <b>Red Limit Switch</b> toward the “-” sign (20 full rotations). After adjusting the limit switch, retry opening the awning. Be ready to stop the awning with your remote if it does not stop before the desired position, and if this occurs, adjust the <b>Red Limit Switch</b> again by rotating it toward the “-” sign 20 more times.</p>	
		<p>Once the awning stops before it reaches the desired open position, follow the instructions outlined in Step 1 to complete setting your open position.</p>	

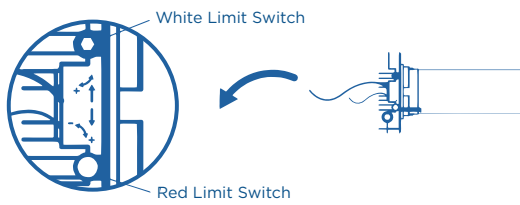




## Motor Head View on a Left Mounted Motor

### Set the Retract Position **For a Left Facing Mounted Motor**

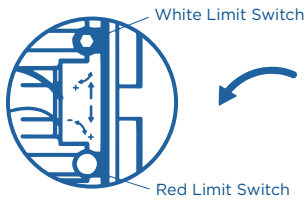
<p>Press the UP button on the remote.</p>	<p><b>1</b> If the awning <b>automatically stops before the desired closed position (2 cm away from roller tube):</b></p>	<p>Use the <b>Limit Switch Allen Key</b> to turn the <b>White Limit Switch</b> toward the "+" sign. Once the awning reaches the desired closed position, you can stop adjusting the limit switch.</p>	
	<p><b>2</b> If the awning <b>does not stop when it reaches desired closed position:</b></p>	<p>Stop the Motor. Use the <b>Limit Switch Allen Key</b> to turn the <b>White Limit Switch</b> toward the "-" sign (20 full rotations). After adjusting the limit switch, retry opening the awning. Be ready to stop the awning with your remote if it does not stop before the desired position, and if this occurs, adjust the <b>White Limit Switch</b> again by rotating it toward the "-" sign</p>	
		<p>Once the awning stops before it reaches the desired position, follow the instructions outlined in Step 1 to complete setting your closed position.</p>	



## Motor Head View on a Right Mounted Motor

### Set the Extend Position **For a Right Facing Mounted Motor**

<p>Press the <b>DOWN</b> button on the remote.</p>	<p><b>1</b> If the awning <b>automatically stops before the desired open position:</b></p>	<p>Use the <b>Limit Switch Allen Key</b> to turn the <b>White Limit Switch</b> toward the “+” sign. Once the awning reaches the desired open position, you can stop adjusting the limit switch. The awning will move with every rotation.</p>	
	<p><b>2</b> If the awning <b>does not stop when it reaches desired open position:</b></p>	<p>Stop the <b>Motor</b>. Bring the awning back half way. Use the <b>Limit Switch Allen Key</b> to turn the <b>White Limit Switch</b> toward the “-” sign (20 full rotations). After adjusting the limit switch, retry opening the awning. Be ready to stop the awning with your remote if it does not stop before the desired position, and if this occurs, adjust the <b>White Limit Switch</b> again by rotating it toward the “-” sign 20 more times.</p>	
		<p>Once the awning stops before it reaches the desired open position, follow the instructions outlined in Step 1 to complete setting your open position.</p>	



# Motor Head View on a Right Mounted Motor

## Set the Retract Position **For a Right Facing Mounted Motor**

<p>Press the UP button on the remote.</p>	<p><b>1</b> If the awning automatically stops before the desired closed position (2 cm away from roller tube):</p>	<p>Use the Limit Switch Allen Key to turn the <b>Red Limit Switch</b> toward the "+" sign. Once the awning reaches the desired closed position, you can stop adjusting the limit switch.</p>	
	<p><b>2</b> If the awning does not stop when it reaches desired closed position:</p>	<p>Stop the Motor. Use the <b>Limit Switch Allen Key</b> to turn the <b>Red Limit Switch</b> toward the "-" sign (20 full rotations). After adjusting the limit switch, retry opening the awning. Be ready to stop the awning with your remote if it does not stop before the desired position, and if this occurs, adjust the <b>Red Limit Switch</b> again by rotating it toward the "-" sign 20 more times.</p>	
		<p>Once the awning stops before it reaches the desired position, follow the instructions outlined in Step 1 to complete setting your closed position.</p>	

# Troubleshooting

## Remote Control

The awning remote does not work:

Check the awning is plugged in.

Check the circuit breaker.

Call a professional to inspect.

The awning remote does not work but you hear the signal sound from the remote receiver:

Ensure the pins & screws are fastened. The motor will automatically resume operation after around 20 minutes.

The indicative lamp does not work with the remote and there is no signal from the receiver:

Replace with a new cell.

Reset the cell.

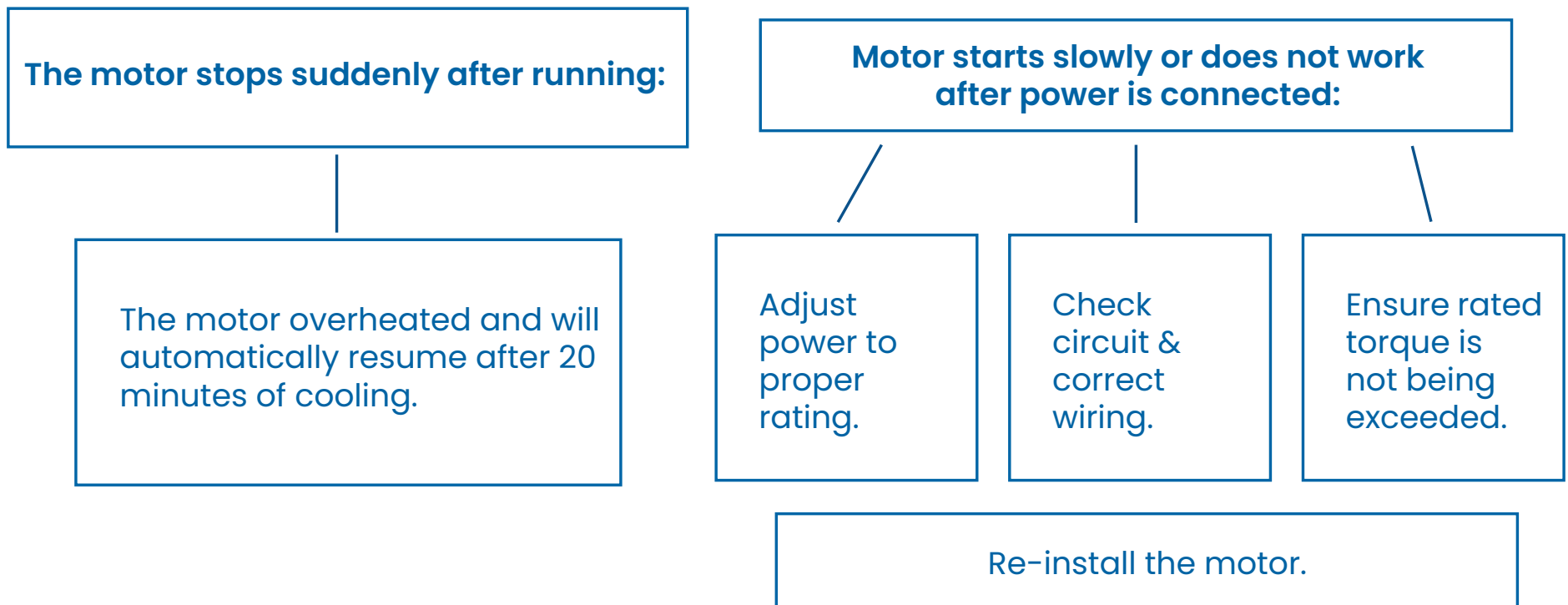


Technical **Support #**

833-926-2323

# Troubleshooting

## Motor Control (For Motorized Awnings Only)



# Troubleshooting

## Fabric and Noise

The fabric is loose, even though the awning is extended entirely:

Adjust the pitch to be higher.

Re-roll the fabric to be tighter connections.

Adjust the arm bar links.

There is unwanted noise when operating the awning:

Check all screws to ensure they are tightly fastened.

Adjust arm bar links to relieve tension..

# ADDITIONAL SAFETY WARNINGS



Motor Working Temperature: 14°F-120°F  
Operational Voltage: 110 V

## AWNING MOTOR WARNINGS

1. Do not expose tubular motor element to water at any time.
2. Do not pound the tubular motor into place.
3. Do not drill into the motor assembly for any reason.
4. Ensure slack in the power cord to allow moisture to run off before reaching electric motor.





**WARNING:** Important safety instructions to read before installation and use

This product contains a coin/button cell battery. If the coin/button cell battery is swallowed, it can cause severe internal burns in just 2 hours and can lead to death. Keep new and used batteries away from children. If the battery compartment does not close securely, stop using the product and keep away from children. If you think batteries might have been swallowed or placed inside any part of the body, seek immediate medical attention.

**1** Even used batteries may cause severe injury or death.

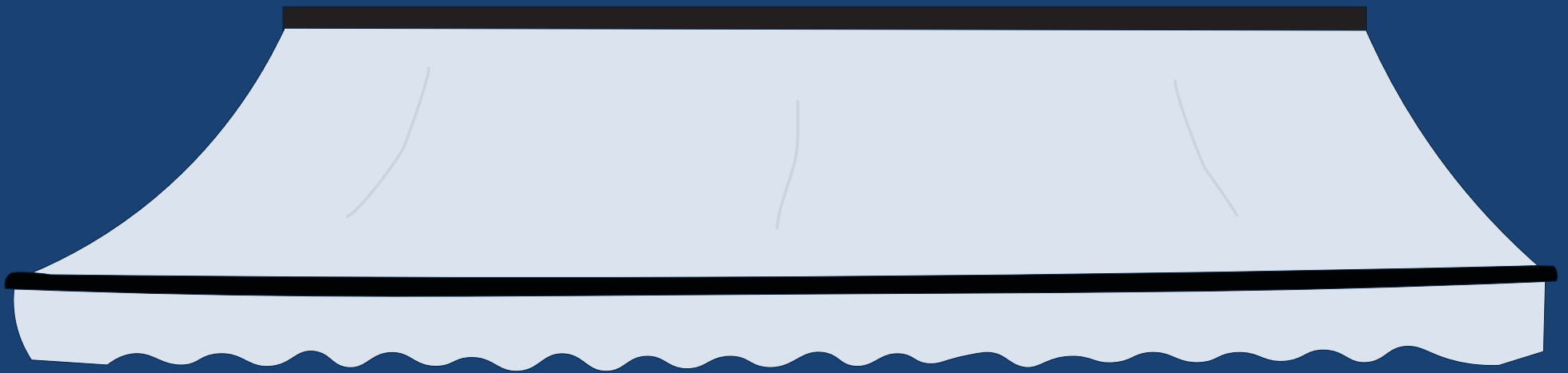
**2** Call a local poison control center for treatment information.



- 3 Non-rechargeable batteries are not to be recharged.
- 4 Do not force discharge, recharge, disassemble, heat above (manufacturer's specified temperature rating) or incinerate. Doing so may result in injury due to venting, leakage or explosion resulting in chemical burns.
- 5 Ensure the batteries are installed correctly according to polarity {+ & -}.
- 6 Do not mix old and new batteries, different brands or types of batteries, such as alkaline, car - bon-zinc, or rechargeable batteries.



- 7 Remove and immediately recycle or dispose of batteries from equipment not used for an extended period of time according to local regulations.
- 8 Always completely secure the battery compartment. If the battery compartment does not close securely, stop using the product, remove the batteries, and keep them away from children.
- 9 Remove and immediately recycle or dispose of used batteries according to local regulations and keep away from children. Do NOT dispose of batteries in household trash or incinerate.



# Manual Awning Installation Guide

## 2 Arm Black Frame

Follow on us on social media:

 @aleko\_products    @aleko    @alekoproducts

Explore More Ways to Elevate Your Space:

visit [www.aleko.com](http://www.aleko.com)